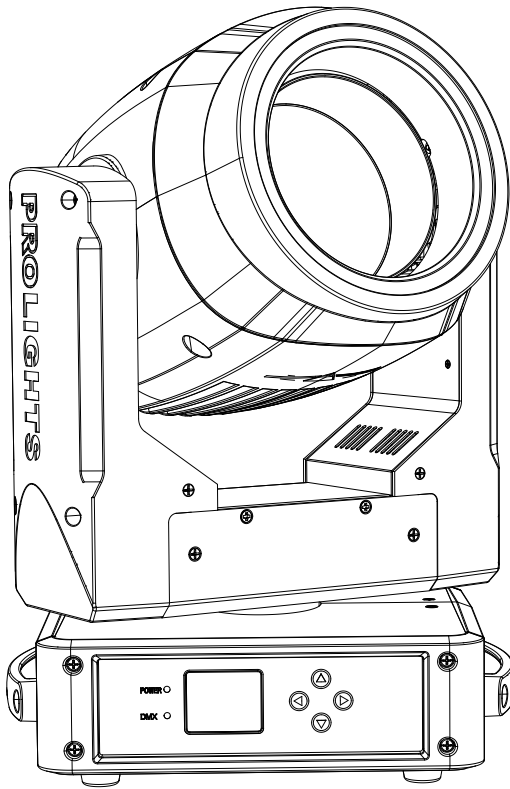


# PIXIEWASHXB

WASH MOVING HEAD



USER MANUAL  
MANUALE UTENTE

All rights reserved by Music & Lights S.r.l. No part of this instruction manual may be reproduced in any form or by any means for any commercial use.

In order to improve the quality of products, Music&Lights S.r.l. reserves the right to modify the characteristics stated in this instruction manual at any time and without prior notice.  
All revisions and updates are available in the 'manuals' section on site [www.musiclights.it](http://www.musiclights.it)

## TABLE OF CONTENTS

### Safety

General instructions .....	2
Warnings and installation precautions .....	2

### 1 Introduction

1.1 Description .....	3
1.2 Technical specifications .....	3
1.3 Operating elements and connections .....	5

### 2 Installation

2.1 Mounting .....	6
--------------------	---

### 3 Functions and settings

3.1 Operation .....	7
3.2 Basic .....	7
3.3 Menu structure .....	8
3.4 DMX addressing .....	10
3.5 DMX configuration .....	11
3.6 Wireless settings .....	11
3.7 Ethernet .....	11
3.8 Movement .....	12
3.9 Screen .....	12
3.10 Fixture settings .....	12
3.11 Auto test .....	13
3.12 Manual test .....	13
3.13 Advanced .....	13
3.14 Information on the device .....	14
3.15 Dmx view .....	14
3.16 DMX channels .....	15
3.17 Construction of the DMX termination .....	19
3.18 Connection of the DMX line .....	19

### 4 Maintenance

4.1 Maintenance and cleaning the unit .....	20
4.2 Fuse replacement .....	20
4.3 Trouble shooting .....	21

---

#### Packing content

- PIXIEWASHXB
  - OS24 (2 pcs)
  - Power cable
  - Safety cable
  - User manual
-



**WARNING! Before carrying out any operations with the unit, carefully read this instruction manual and keep it with care for future reference. It contains important information about the installation, usage and maintenance of the unit.**



## SAFETY

### General instruction

- The products referred to in this manual conform to the European Community Directives and are therefore marked with **CE**.
- The unit is supplied with hazardous network voltage (230V~). Leave servicing to skilled personnel only. Never make any modifications on the unit not described in this instruction manual, otherwise you will risk an electric shock.
- Connection must be made to a power supply system fitted with efficient earthing (Class I appliance according to standard EN 60598-1). It is, moreover, recommended to protect the supply lines of the units from indirect contact and/or shorting to earth by using appropriately sized residual current devices.
- The connection to the main network of electric distribution must be carried out by a qualified electrical installer. Check that the main frequency and voltage correspond to those for which the unit is designed as given on the electrical data label.
- This unit is not for home use, only professional applications.
- Never use the fixture under the following conditions:
  - in places wet;
  - in places subject to vibrations or bumps;
  - in places with an ambient temperature of over 45°C.
- Make certain that no inflammable liquids, water or metal objects enter the fixture.
- Do not dismantle or modify the fixture.
- All work must always be carried out by qualified technical personnel. Contact the nearest sales point for an inspection or contact the manufacturer directly.
- If the unit is to be put out of operation definitively, take it to a local recycling plant for a disposal which is not harmful to the environment.



### Warnings and installation precautions

- If this device will be operated in any way different to the one described in this manual, it may suffer damage and the guarantee becomes void. Furthermore, any other operation may lead to dangers like short circuit, burns, electric shock, etc.
- Before starting any maintenance work or cleaning the projector, cut off power from the main supply.
- Always additionally secure the projector with the safety rope. When carrying out any work, always comply scrupulously with all the regulations (particularly regarding safety) currently in force in the country in which the fixture's being used.
- For inside use only. Not designed for outside use.
- The minimum distance between the fixture and surrounding walls must be more than 50 cm and the air vents at the housing must not be covered in any case.
- Keep any inflammable material at a safe distance from the fixture.
- The maximum temperature that can be reached on the external surface of the fitting, in a thermally steady state, is high. After power off, please cool down over 15 minutes.
- Shields, lenses or ultraviolet screens shall be changed if they have become damaged to such an extent that their effectiveness is impaired.
- The lamp (LED) shall be changed if it has become damaged or thermally deformed.
- Never look directly at the light beam. Please note that fast changes in lighting, e. g. flashing light, may trigger epileptic seizures in photosensitive persons or persons with epilepsy.
- This product was designed and built strictly for the use indicated in this documentation. Any other use, not expressly indicated here, could compromise the good condition/operation of the product and/or be a source of danger.
- We decline any liability deriving from improper use of the product.

## - 1 - INTRODUCTION

### 1.1 DESCRIPTION

PIXIEWASHXB reinvents the concept of the moving LED wash light; bringing together the classic styling of a traditional wash luminaire and applying the very latest innovations in the field of LED technology. The large frontal plano-convex lens delivers a stunning level of brightness and an exceptional zoom range with a 1:8 ratio, combined with a proprietary 280W RGB and warm white LED module delivering a high-quality white reproduction with high CRI and TLCI parameters as well an extremely precise colour tuning. PIXIEWASHXB is an ideal solution for any application where users want a superior light quality but without the view of multi-cell fixtures. Being compact, fast and silent, the PIXIEWASHXB offers unprecedented flexibility and is ideal for use in theatres, TV, corporate and festivals.

### 1.2 TECHNICAL SPECIFICATIONS

#### LIGHT SOURCE

- Source: 280W RGB + warm white
- CT: 6500K
- CRI: >92
- R9: >94
- Luminous flux: (6°) 3670 lm - (45°) 3795lm
- Lux: (6°) 29900 lux - (45°) 1590lux @3m full
- Lux: (6°) 10764 lux - (45°) 572lux @5m full
- Source life expectancy: 70000
- Other: TM-30-15RF/RG: 90/99 - TLCI: >85

#### OPTICS

- Zoom: 6° - 45° motorised linear zoom
- Field angle: 11° - 43°
- Lens diameter: 125mm
- Lens type: high-quality glass lens optics

#### COLOUR SYSTEM

- Colour mixing: RGB+Warm White
- CTC: CTC control through independent DMX channel, plus/minus green and magenta correction and amber shift activation by DMX
- White presets: 2800K-10000K
- Colour wheel: virtual colour wheel with presets
- Macros: several pre-build macros with adjustable speed

#### BODY

- Hardware on-board: OMEGA sockets for quick rigging (clamp included)
- Pan angle: 540°
- Tilt angle: 250°
- Pan/Tilt resolution: 8/16bit
- Feedback: automatic repositioning after accidental movement
- Body: aluminium die-casting
- Body colour: black

#### CONTROL

- Protocols: DMX512, RDM, Art-Net,W-DMX
- DMX channels: 13 / 15 / 16 / 18 / 22 / 23channel
- W-DMX: included, wireless solution receiver

- RDM: RDM ready for fixture remote monitor and settings
- Display: LCD high resolution colour display with autoflip
- Firmware upgrade: yes, via USB-DMX interface (UPBOX1) not included

### ELECTRONICS

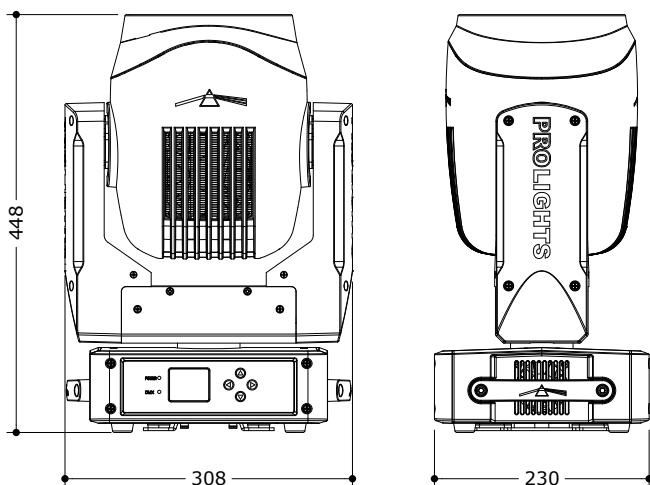
- Dimmer: linear 0~100% electronic dimmer
- Dimmer curves: different dimming curves available
- Strobe / shutter: 1-30 Hz, electronic
- Battery backup: battery backup for user operation without connecting to the main power
- Operating temperature:  $-10^{\circ} \sim +45^{\circ}$
- Flicker: flicker free frequency with adjustable PWM

### ELECTRICAL

- Power consumption: 338W
- Power supply: 100-240V – 50/60Hz
- Power consumption (at 230V): 338W
- Power consumption (at 120V): 342W
- Output (at 230V): 3 units on a single power line
- Output (at 120V): 2 units on a single power line
- Power factor: pF 0.99 @ 120V - pF 0.95 @ 230V

### PHYSICAL

- Cooling: combination of heat pipe cooling system and low noise fan
- Suspension and fixing: any position with quick-lock omega brackets
- Signal connection: Amphenol XLR 5p IN/OUT connectors
- Data connection: Art-Net RJ45 IN/OUT
- Power connection: Seetronic powerCON waterproof IN/OUT connectors
- IP rating: 20
- Dimensions (WxHxD): 308x448x230mm
- Weight: 13.6kg



Technical drawing

Fig.1

## 1.3 OPERATING ELEMENTS AND CONNECTIONS

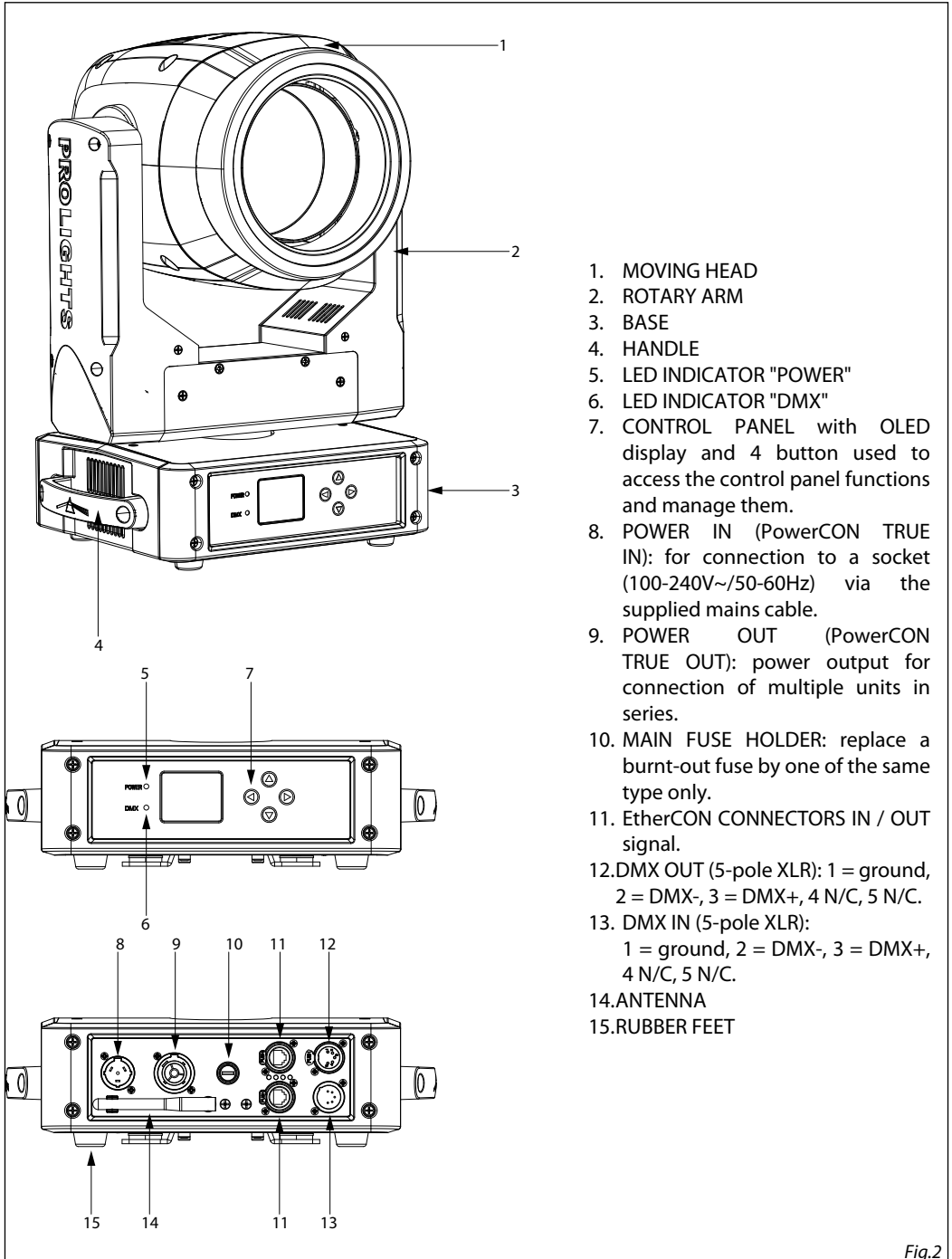


Fig.2

## - 2 - INSTALLATION

### 2.1 MOUNTING

The PIXIEWASHXB may be set up on a solid and even surface. By means of the fixing facilities of the base plate, the unit can also be mounted upside down to a cross arm. The base plate is shown in fig.3. For fixing, stable mounting clips are required. According to the figure, the bolts of the brackets are placed into the openings provided in the base plate and turned clockwise until they lock (to the stop). Always ensure that the unit is firmly fixed to avoid vibration and slipping while operating. The mounting place must be of sufficient stability and be able to support a weight of 10 times of the unit's weight. When carrying out any installation, always comply scrupulously with all the regulations (particularly regarding safety) currently in force in the country in which the fixture's being used. Always additionally secure the projector with the safety rope from falling down. For this purpose, fasten the safety rope at a suitable position so that the maximum fall of the projector will be 20 cm.

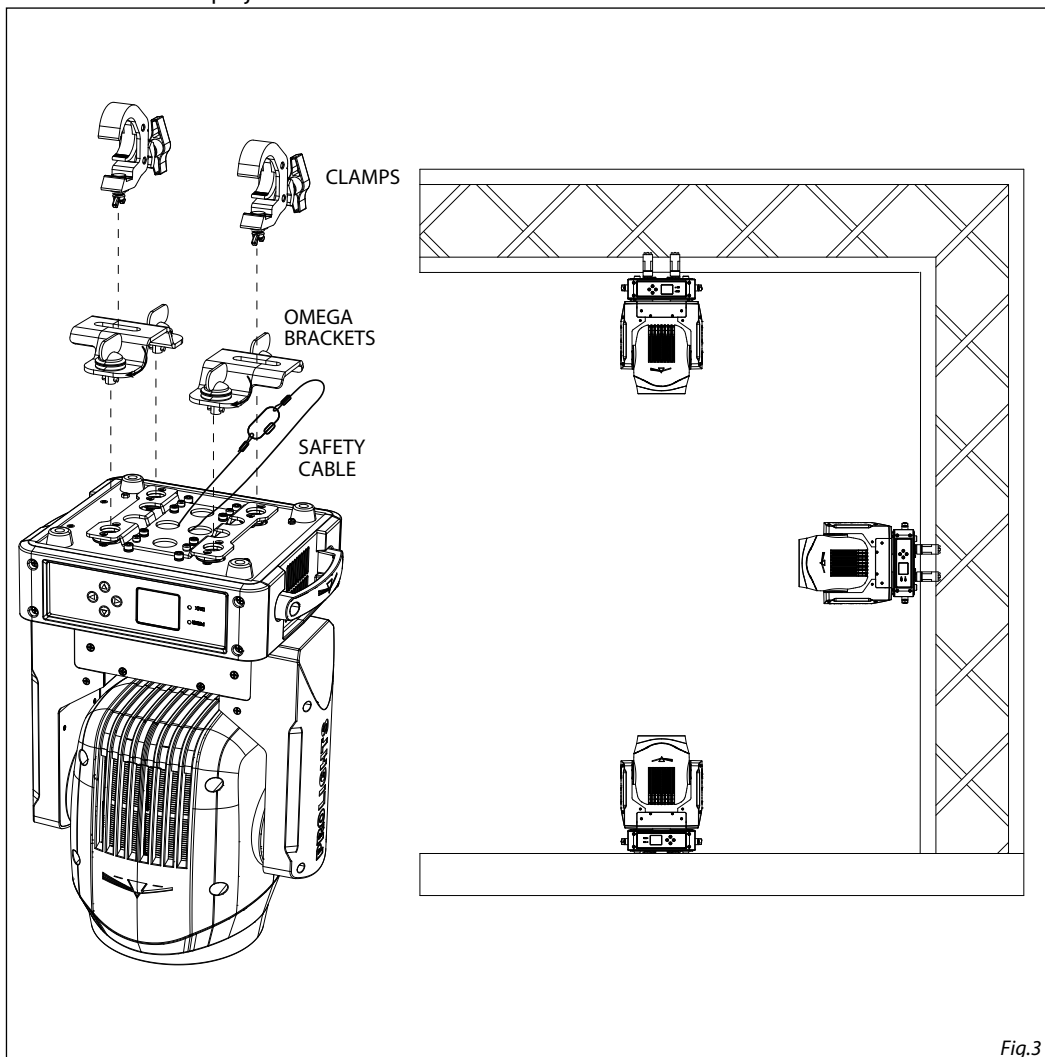


Fig.3



## - 3 - FUNCTIONS AND SETTINGS

### 3.1 OPERATION

Connect the supplied main cable to a socket (100-240V~/50-60Hz). The unit will run built-in program to reset all motors to their home position. Shortly after that the PIXIEWASHXB is ready for operation. To switch off, disconnect the mains plug from the socket. For a more convenient operation it is recommended to connect the unit to a socket which can be switched on and off via light switch.

NOTE: for factory default settings, the **Calibrated** function is active on the PIXIEWASHXB. Refer to paragraph "Fixture Settings" (pag.12 and 13).

### 3.2 BASIC

The PIXIEWASHXB has a LCD display and 4 button used to access the control panel functions and manage them (fig.4).

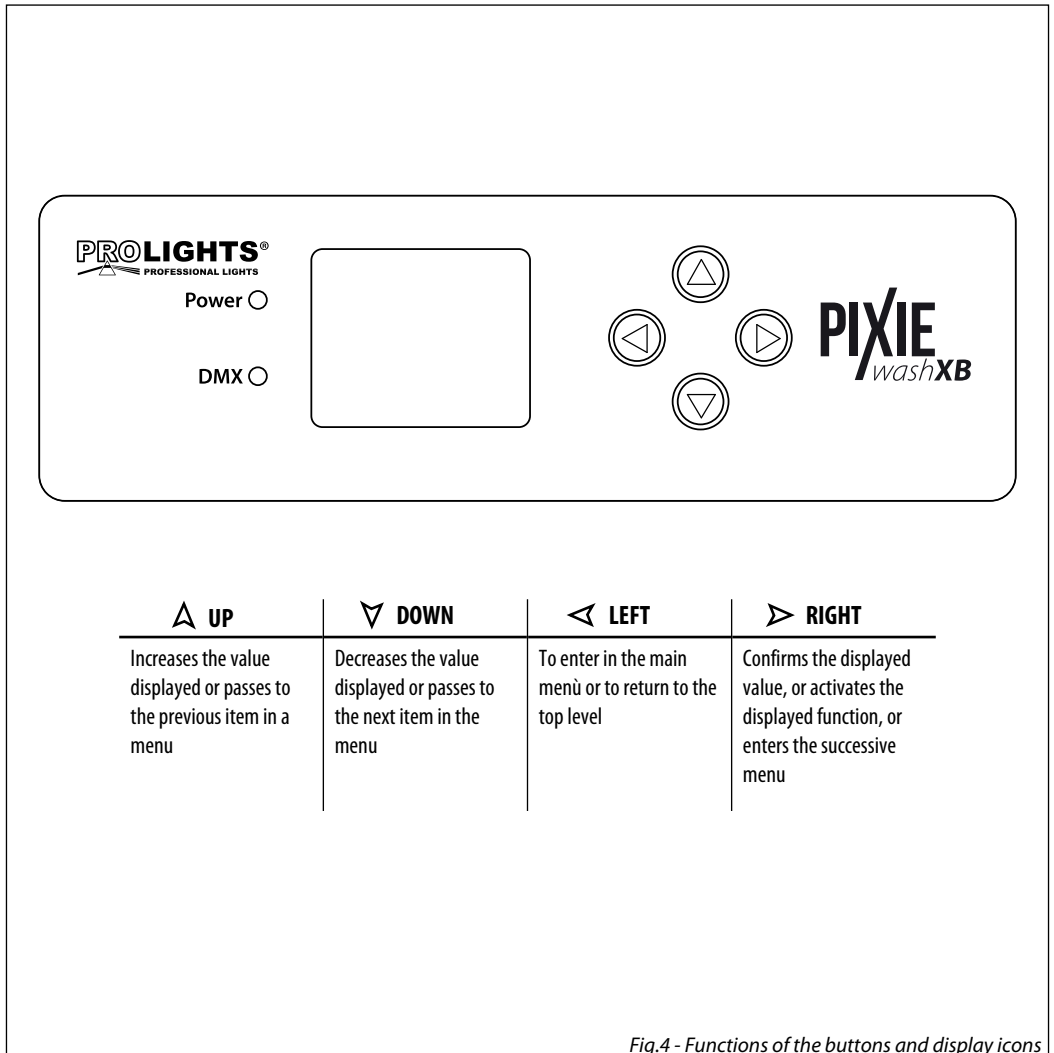


Fig.4 - Functions of the buttons and display icons

## 3.3 MENU STRUCTURE

MENU							
1	<b>CONNECT</b>	DMX Address	⇒ Value (1-512)	Default: 1			
		DMX Mode	⇒ STANDARD-13CH STANDARD-15CH STANDARD-16CH EXTENDED-18CH EXTENDED-22CH EXTENDED-23CH	Default: EXTENDED 22CH			
		Wireless Setting	Receive Off/On	⇒ Off On	Default :Off		
			Receive Reset	⇒ No Yes	Default :No		
			Wireless To DMX	⇒ No Yes	Default :Yes		
		Ethernet	Universe	⇒ 0-255	Default: 0		
			Start Channel	⇒ 1-512	Default:1		
			IP Address	⇒ 2.133.139.215			
			Ethernet To DMX	⇒ NO	Default :Yes		
		2	<b>SETUP</b>	Movement	Pan Reverse	⇒ No Yes	Default: No
					Tilt Reverse	⇒ No Yes	Default: No
					Zoom Reverse	⇒ No Yes	Default: No
					Pan Feedback	⇒ No Yes	Default: Yes
					Tilt Feedback	⇒ No Yes	Default: Yes
Screen	Back Light			⇒ On 10s 20s 30s	Default: 10s		
	Flip Display			⇒ No Yes Auto	Default: No		
	DMX Led			⇒ Off On	Default:Off		
	Warn Cue			⇒ Off On	Default:On		
	Key Lock			⇒ No Yes	Default: No		
	Fixture			Full On Mode	⇒ HB Studio	Default: Studio	
				White Balance	⇒ Off Manual	⇒ Red Green Blue Warm White	
⇒ 125-255							
Calibrated					Default: Activeted		

	⇒ Dimmer Mode	⇒ Off Dimmer 1 Dimmer 2 Dimmer 3	Default: Off
	⇒ Dimmer selection	⇒ Option 1 Option 2 Option 3	Default: Option 2
	⇒ LED Frequency	⇒ 600Hz 1000Hz 2000Hz 4000Hz 8000Hz 25KHz	Default: 2000Hz
	⇒ Fan Mode	⇒ Auto Silent High Off	Default: Auto
	⇒ Temperature unit	⇒ °C °F	Default: °C
	⇒ Auto Test	⇒ Auto Test ...	
	⇒ Manual Test	⇒ Pan Pan Fine Tilt Tilt Fine P/T Speed Dimmer Shutter Red Green Blue White Zoom	⇒ 000-255 Default: Tilt=128 Dimmer=255 Shutter = 255
3	<b>ADVANCED</b>	⇒ Reset	⇒ All Pan Tilt Zoom
		⇒ Adjust	⇒ Pan Offset Tilt Offset Zoom Offset
		⇒ Factory Reload	⇒ No Yes
4	<b>INFORMATION</b>	⇒ Fixture Time	⇒ 0-9999 Default: 0
		⇒ Temperature	⇒ 58 °C
		⇒ Fans Speed	⇒ **%
		⇒ Software Version	⇒ DISP- V1.0 NET-V1.0 CTR1-XY- V1.0 CTR2-MOTOR-V1.0
		⇒ UID	⇒ 15D00225****
		View DMX	

### 3.4 DMX ADDRESSING

To set DMX addressing follow the instructions below:

- Press the button LEFT to enter the menu mode.
- Use the buttons UP/DOWN to select the **Connect** item. Press the button RIGHT to confirm.
- Press the buttons UP/DOWN to select the **DMX Address** item. Then press the button RIGHT to confirm.
- Press the buttons UP/DOWN to select the desired value **001-512**; then press the button RIGHT to confirm.
- Press repeatedly the button LEFT to return the menu mode.

To able to operate the PIXIEWASHXB with a light controller, adjust the DMX start address for the first a DMX channel. If e. g. address 33 on the controller is provided for controlling the function of the first DMX channel, adjust the start address 33 on the PIXIEWASHXB. The other functions of the light effect panel are then automatically assigned to the following addresses.

Number of DMX channels	Start address (example)	DMX Address occupied	Next possible start address for unit No. 1	Next possible start address for unit No. 2	Next possible start address for unit No. 3
13	33	33-45	46	59	72
15	33	33-48	49	63	78
16	33	33-48	49	65	81
18	33	33-50	51	69	89
22	33	33-54	55	77	99
23	33	33-55	56	79	102

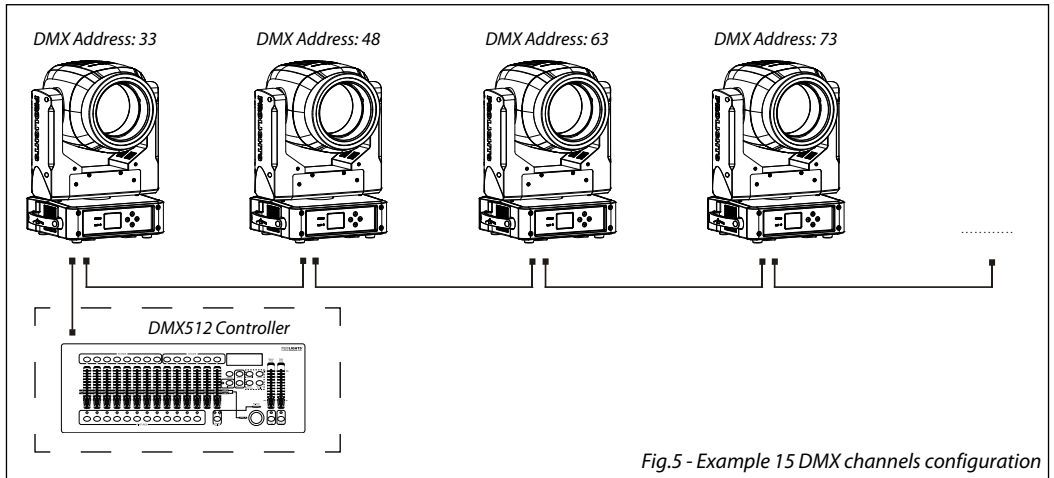


Fig.5 - Example 15 DMX channels configuration

Several units may be interconnected; follow the instructions below:

1. Connect the DMX OUT of the master unit via 5-pole XLR cable to the DMX IN of the first slave unit.
2. Connect the DMX OUT of the first slave unit to the DMX IN of the second slave unit, etc. until all units are connected in a chain.

Use standard DMX cables to daisy chain your units together via the DMX connector on the rear of the units. For longer cable runs we suggest a terminator at the last fixture (see page 16).

### 3.5 DMX CONFIGURATION

The PIXIEWASHXB has 6 DMX channels configurations selectable through the control panel.

- Press the button LEFT to enter the menu mode.
- Use the buttons UP/DOWN to select the **Connect**. Press the button RIGHT to confirm.
- Press the buttons UP/DOWN to select the **DMX mode**. Then press the button RIGHT to confirm.
- Press the buttons UP/DOWN to select the desired configuration (**STANDARD-13CH, STANDARD-15CH, STANDARD-16CH, EXTENDED-18CH, EXTENDED-22CH, EXTENDED-23CH**) then press the button RIGHT to save.
- Press repeatedly the button LEFT to return the menu mode.

The tables on page 15, 16, 17, 18 indicate the operating mode and DMX value. The PIXIEWASHXB is equipped with 5-pole XLR connections.

### 3.6 WIRELESS SETTINGS

- To enter the Wireless mode press the LEFT button until the display shows **Connect**, then select **Wireless** using the RIGHT button.
- Select the **Wireless Receive** function using the UP/DOWN buttons, then press the RIGHT button.
- To activate the **Wireless Receive** function, use the UP/DOWN buttons and select the **On** option.
- Press the RIGHT button to confirm the selection.
- Press the LEFT button to go back or wait a few seconds to exit the setup menu.

NOTE - Once you have performed these steps, you must synchronize with any WiFi unit with which you want to communicate by pressing the sync button on it. At this point connect the DMX console to the WiFi unit to open the communication with the PIXIEWASHXB.

- To reset the unit, select the **Receive Reset** function using the UP/DOWN buttons, press the RIGHT button until the display shows **Connect**, then select **Receive Reset** using the UP/DOWN buttons, then press the RIGHT button.
- To activate the mode use the UP / DOWN keys and select the **Yes** option.
- Press the RIGHT button to confirm the selection.
- Press the LEFT button to go back or wait a few seconds to exit the setup menu.
- To activate the **Wireless to DMX** function, use the UP / DOWN buttons to press the RIGHT button until the display shows **Connect**, then select **Wireless to DMX**, then press the RIGHT button.
- To activate the mode use the UP/DOWN buttons and select the **Yes** option.
- Press the RIGHT button to confirm the selection.
- Press the LEFT button to go back or wait a few seconds to exit the setup menu.

### 3.7 ETHERNET

For the ArtNet settings to be assigned to the unit, refer to the following menu section.

- Press the UP/DOWN button to scroll through the menu, select **Connect**, then press the RIGHT button access the next **Ethernet** menu with the UP / DOWN button, then press the RIGHT button.
- Use the UP/DOWN buttons to select one of the following settings: **Universe, Start Channel, IP Address, Ethernet to DMX**.
- Press the RIGHT button to confirm the selection and enter the sub menu.
- To activate the **Ethernet to DMX** function, use the UP / DOWN buttons to press the RIGHT button until the display shows **Connect**, then select **Ethernet to DMX**, then press the RIGHT button.
- To activate the mode use the UP/DOWN buttons and select the **Yes** option.
- Press the RIGHT button to confirm the selection.
- Set the desired value for the selected function using the UP/DOWN buttons. Then press the RIGHT button.
- Press the LEFT button to go back or wait a few seconds to exit the setup menu.

### 3.8 MOVEMENT

Press the LEFT button to access the main menu.

- Press the UP/DOWN button to scroll through the menu, select **Set Up**, then press the RIGHT button access the next menu.
- Press the UP/DOWN button to select **Movement** and press the RIGHT button to proceed.
- Select the proposed option with the UP/DOWN button and press the RIGHT button to confirm.
  - **Pan Reverse** - Rotation in the opposite direction of the moving head. **No** to deactivate the function (normal setting); **Yes** to activate the function (Pan Reverse).
  - **Tilt Reverse** - Inclination in the opposite direction of the moving head. **No** to deactivate the function (normal setting), **Yes** to activate the function (Tilt Reverse).
  - **Pan Reverse** - Zoom in the opposite direction of the moving head. **No** to deactivate the function (normal setting); **Yes** to activate the function (Zoom Reverse).
  - **Pan/Tilt Feedbacks** - Rearrange Pan/Tilt position after accidental shift. Select **No** for deactivate the function or **Yes** to activate the function.
- Press the RIGHT button to confirm the selection.
- Press the LEFT button repeatedly to exit the menu and to save the changes made.

### 3.9 SCREEN

It is possible to modify the following parameters, related to the display, following the same procedure:

- Press the LEFT button to access the main menu.
- Press the UP/DOWN button to scroll through the menu, select **Set Up**, then press the RIGHT button access the next menu.
- Press the UP/DOWN button to select **Screen** and press the RIGHT button to proceed.
- Select the proposed option with the UP/DOWN button and press the RIGHT button to confirm.
  - **Backlight** - Auto Off display backlight. This function allows you to switch off automatically the backlighting of the display after a certain time which can be set using the directional keys. To have the display always on select **On** or set a value between those shown (**10s, 20s, 30s**) to turn off the display once the chosen time has elapsed, after exiting the menu.
  - **Flip Display** - Display orientation. This feature allows you to rotate the display by 180 ° to get a better view of the display when the unit is hanging upside down. Select **Yes** to activate the function, **No** to deactivate it or **Auto**.
  - **Warn Cue** - Warning of error. Use the arrow keys to select **Off** or **On** depending on whether or not the display shows error warnings.
  - **Key lock** - With this function, you can lock the keys on the control panel to prevent, for example, tampering with the settings. If this function is activated, the keys are locked automatically. To disable or temporarily disable or disable the key lock function, press the keys in the following order to regain access to the menu commands: UP, DOWN, UP, DOWN, RIGHT. Select **Yes** to activate the function or **No** to deactivate it.
- Press the RIGHT button to confirm the selection.
- Press the LEFT button repeatedly to exit the menu and to save the changes made.

### 3.10 FIXTURE SETTINGS

You can change the parameters for the device by following these steps:

- Press the button LEFT to enter the menu mode.
- Use the buttons UP/DOWN to select the System setup. Press the button RIGHT to confirm.
- Press the buttons UP/DOWN to select the desired option and press the button RIGHT to confirm:
  - **Full On Mode** - Select the **Full on Mode** function to set the **HB** mode (High Brightness Mode, with the maximum value of the colors) or **Studio** mode with an automatic white calibration at 6000 K. Through

the **Studio** mode it is possible to use separately the 4 single colors, only when all the colors are full you will get the color temperature of 6000 K.

- **White Balance** - White Balance function. Select the **White Balance** function to set the white balance by changing the values (125-255) of the colors **Red, Green, Blue and White**.
- **Calibrated** - With this function active, when the RGB colors are full, you will get 6000 K. In the same way, using only the Warm White channel, you will still get 6000 K. So this mean that with this function activated white of PIXIEWASHXB is not warm white but a standard cold white at 6000K.

NOTE: to obtain 3000 K using the Warm White color, you must necessarily disable the Calibrated function and activate the Studio function.

- **Dimmer Mode** - Adjusting the dimmer. Enter in **Dimmer Mode** to select specific dimming curve. Particularly when set:
  - **Off**: The increase in light intensity is linear.
  - **Dimmer 1**: dimmer curve with low fade.
  - **Dimmer 2**: dimmer curve with medium fade.
  - **Dimmer 3**: dimmer curve with high fade.
- **Dimmer selection** - Its function is to change the behavior of the Dimmer. Select the desired option (**Option 1 / Option 2 / Option 3**).
- **Fan Mode** - Fan speed. Select the desired fan speed (**Off, Auto, Silent, High**) through the button UP/DOWN.
- **Temperature unit**. Select **Temperature unit** function and then choose **Celsius / Fahrenheit** measurement unit then press the RIGHT button to confirm the selection.
- Press repeatedly the button LEFT to return the menu mode.

### 3.11 AUTO TEST

Allow checking the proper functioning of the unit. Start the automatic test in the following way:

- Press the button LEFT to enter the menu mode.
- Use the buttons UP/DOWN to select the **Fixture**. Press the button RIGHT to confirm.
- Press the buttons UP/DOWN to select the **Auto Test** and press RIGHT to confirm.
- To confirm and start the automatic test press the RIGHT button.

### 3.12 MANUAL TEST

It allows to do adjustments on the effects through commands panel to obtain a perfect balance between the projectors.

- Press the button LEFT to enter the menu mode.
- Press the buttons UP/DOWN to select the item **Fixture**. Then press the button RIGHT.
- Press the buttons UP/DOWN to select the **Manual Test**. Then press the button RIGHT.
- Select the effect you want change (**Pan, Pan Fine, Tilt, Tilt Fine, P/T Speed, Dimmer, Shutter, Red, Green, Blue, White, Zoom**).Then press the button RIGHT to confirm.
- Use the directional buttons to calibrate the effect setting a value between **0 - 255**. Then press the button RIGHT to confirm.
- Press repeatedly the button LEFT to return the menu mode.

### 3.13 ADVANCED

It is possible to modify the following parameters following the same procedure:

- Press the LEFT button to access the main menu.
- Press the UP/DOWN button to scroll through the menu, select **Advanced**, then press the RIGHT button to enter the next menu.

- Press the UP/DOWN button to select one off the following parameters:
  - **Reset** - To start a preset program to restore the selected function (**All, Pan, Tilt, Zoom**).
  - **Adjust** - To allows you to change all parameters. To access this mode, enter the password "050".Select the desired function (**Pan Offset, Tilt Offset, Zoom Offset**) and the choose the value (**0 - 255**).
  - **Factory Reload** - To reset the unit. Select **Yes** or **No** and select RIGHT to confirm.
- Press the RIGHT button to confirm the selection and wait for the selected function to be restored.
- Press the LEFT button repeatedly to exit the menu and to save the changes made.

### 3.14 INFORMATION ON THE DEVICE

To view all the information on the device, proceed as follows:

- Press the LEFT button to access the main menu. Press the UP/DOWN button to select **Information**, then press the RIGHT button to access the next menu.
- Press the UP/DOWN button to scroll through the menu, then select one of the following information- and press the RIGHT button to display it.- **Fixture Time** - Through the Fixture Time function, the operating time of the projector can be shown on the display.
  - **Fixture Time** - To view the operating time of the projector.
  - **Temperature** - To view the temperature of the device in °C on the display.
  - **Fans Speed** - to view on the display the fan speed present near the lamp.
  - **Software Version** - To view the firmware version will show on the display.
  - **UID** - To view the identification ID for the RDM control.

### 3.15 DMX VIEW

Select the View DMX function to display the DMX values received by the fixture for each channel during its operation.



## 3.16 DMX CHANNELS

MODE 13 Ch	MODE 15 Ch	MODE 16 Ch	MODE 18 Ch	MODE 22 Ch	MODE 23 Ch	FUNCTION	DMX Value
1	1	1	1	1	1	<b>PAN COARSE</b> 0~100%	000 - 255
2	2	2	2	2	2	<b>PAN FINE</b> 0~100%	000 - 255
3	3	3	3	3	3	<b>TILT COARSE</b> 0~100%	000 - 255
4	4	4	4	4	4	<b>TILT FINE</b> 0~100%	000 - 255
5	5	5	5	5	5	<b>PAN/TILT SPEED</b> Fastest to slow Movement with Blackout	000 - 250 251 - 255
6		6				<b>SPECIAL FUNCTION</b> No function Pan &Tilt Reset (Hold 3 Second) No function Zoom Reset (Hold 3 Second) No function	000-049 050-099 100-149 150-199 200-255
	6		6	6	6	<b>SHUTTER</b> No function (shutter open) Shutter effect slow to fast No function (shutter open) Pulse-effect in sequences No function (shutter open) Random Shutter effect slow to fast No function (shutter open)	000 - 010 011 - 082 083 - 093 094 - 163 164 - 174 175 - 244 245 - 255
7	7	7	7	7	7	<b>DIMMER 8bit</b> 0~100%	000 - 255
			8	8	8	<b>DIMMER 16bit</b> 0~100%	000 - 255
		16	9	9	9	<b>DIMMER FADE</b> 0~100%	000 - 255
8		8				<b>SHUTTER</b> Shutter closed No function (Shutter open) Shutter effect slow to fast No function (Shutter open) Pulse-effect in sequences No function (Shutter open) Random Shutter effect slow to fast No function (Shutter open)	000 - 031 032 - 063 064 - 095 096 - 127 128 - 159 160 - 191 192 - 223 224 - 255

MODE 13 Ch	MODE 15 Ch	MODE 16 Ch	MODE 18 Ch	MODE 22 Ch	MODE 23 Ch	FUNCTION	DMX Value
	8		10	10	10	<b>CONTROL</b> No Function CTC CTC+Amber Shift Forward Spin Reverse Spin Continuous TBD	000 - 015 016 - 023 024 - 031 032 - 047 048 - 063 064 - 079 080 - 255
		13				<b>COLOR FUNCTION</b> No Function CTC Function Forward Spin Reverse Spin Continuous TBD	000 - 019 020 - 039 040 - 059 060 - 079 080 - 099 100 - 255
		14				<b>COLOR</b> Color Temperature Correction 2000K -->3000K White 3200 K White 4200 K White 5600 K White 8000 K <b>FORWARD SPIN</b> Rainbow Effect (Slow to Fast) <b>REVERSE SPIN</b> Rainbow Effect (Slow to Fast) <b>CONTINUOUS</b> Black Red Green Blue White Red=0; Green ->Up; Blue=Full; White=0 Red=0; Green =Full; Blue->Down; White=0 Red->Up; Green=Full; Blue=0; White=0 Red=Full; Green ->Down; Blue=0; White=0 Red=Full; Green=0; Blue->Up; White=0 Red->Down; Green=0; Blue=Full; White=0	000 - 223 224 - 231 232 - 239 240 - 247 248 - 255 000 - 255 000 - 255 000 - 000 001 - 001 002 - 002 003 - 003 004 - 004 005 - 046 047 - 088 089 - 130 131 - 172 173 - 214 215 - 255

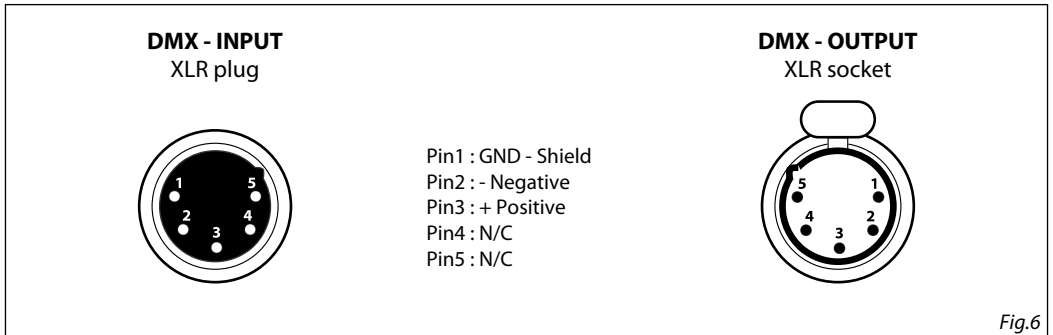
MODE 13 Ch	MODE 15 Ch	MODE 16 Ch	MODE 18 Ch	MODE 22 Ch	MODE 23 Ch	FUNCTION	DMX Value
						<b>CTC or CTC+AMBER SHIFT</b>	
						2800K	000 - 000
						3000K	001 - 010
						3200K	011 - 020
						3400K	021 - 030
						3600K	031 - 040
						3800K	041 - 050
						4000K	051 - 060
						4200K	061 - 070
						4400K	071 - 080
						4600K	081 - 090
						4800K	091 - 100
						5000K	101 - 110
						5200K	111 - 120
						5400K	121 - 130
						5600K	131 - 140
						5800K	141 - 150
						6000K	151 - 160
						6200K	161 - 170
						6400K	171 - 180
						6600K	181 - 190
						6800K	191 - 200
	9		11	11	11	7000K	201 - 210
						7200K	211 - 220
						7400K	221 - 230
						7600K	231 - 240
						7800K	241 - 250
						8000K	251 - 255
						<b>COLOR(FW spin)</b>	
						Rainbow Effect (Slow to Fast)	000 - 255
						<b>COLOR(RW spin)</b>	
						Rainbow Effect (Slow to Fast)	000 - 255
						<b>COLOR (Continuous)</b>	
						Black	000 - 000
						Red	001 - 001
						Green	002 - 002
						Blue	003 - 003
						Warm White	004 - 004
						Red=0, Green->up, Blue=full, Warm White=0	005 - 046
						Red=0, Green=full, Blue->down, Warm White=0	047 - 088
						Red->up, Green=full, Blue=0, Warm White=0	089 - 130
						Red=full, Green->down, Blue=0, Warm White=0	131 - 172
						Red=full, Green=0, Blue->up, Warm White=0	173 - 214
						Red->down, Green=0, Blue=full, Warm White=0	215 - 255
					12	<b>HUE</b>	
						0	000 - 000
						-25~25	001 - 255

MODE 13 Ch	MODE 15 Ch	MODE 16 Ch	MODE 18 Ch	MODE 22 Ch	MODE 23 Ch	FUNCTION	DMX Value
9	10	9	12	12	13	<b>RED</b> 0~100%	000 - 255
				13	14	<b>RED FINE</b> 0~100%	000 - 255
10	11	10	13	14	15	<b>GREEN</b> 0~100%	000 - 255
				15	16	<b>GREEN FINE</b> 0~100%	000 - 255
11	12	11	14	16	17	<b>BLUE</b> 0~100%	000 - 255
				17	18	<b>BLUE FINE</b> 0~100%	000 - 255
12	13	12	15	18	19	<b>WARM WHITE</b> 0~100%	000 - 255
				19	20	<b>WARM WHITE FINE</b> 0~100%	000 - 255
13	14	15	16	20	21	<b>ZOOM</b> 0~100%	000 - 255
			17	21	22	<b>ZOOM FINE</b> 0~100%	000 - 255
	15		18	22	23	<b>CONTROL</b> No function Reset all Pan&Tilt Reset TBD Zoom Reset TBD(not used) Fast Mode TBD(not used)	000 - 007 008 - 015 016 - 023 044 - 047 048 - 055 056 - 063 064 - 071 072 - 255

### 3.17 CONNECTION OF THE DMX LINE

DMX connection employs standard XLR connectors. Use shielded pair-twisted cables with 120Ω impedance and low capacity.

The following diagram shows the connection mode:



#### ATTENTION

The screened parts of the cable (sleeve) must never be connected to the system's earth, as this would cause faulty fixture and controller operation.

Over long runs can be necessary to insert a DMX level matching amplifier.

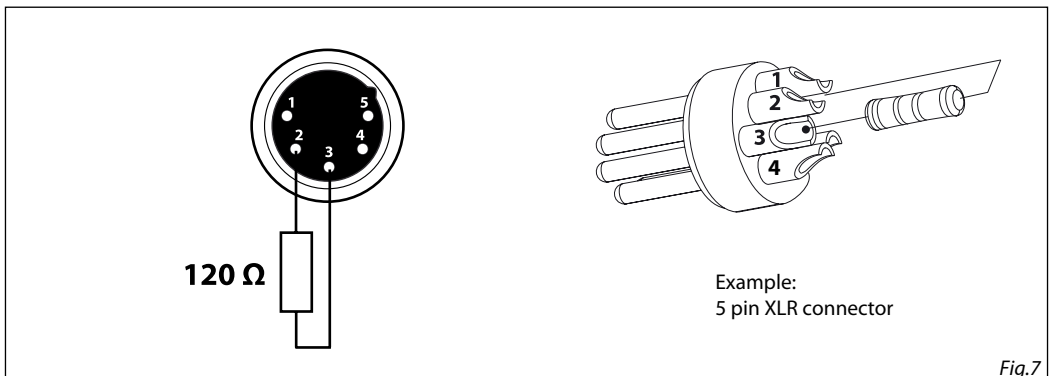
For those connections the use of balanced microphone cable is not recommended because it cannot transmit control DMX data reliably.

- Connect the controller DMX input to the DMX output of the first unit.
- Connect the DMX output to the DMX input of the following unit. Connect again the output to the input of the following unit until all the units are connected in chain.
- When the signal cable has to run longer distance is recommended to insert a DMX termination on the last unit.

### 3.18 CONSTRUCTION OF THE DMX TERMINATION

The termination avoids the risk of DMX 512 signals being reflected back along the cable when they reach the end of the line: under certain conditions and with certain cable lengths, this could cause them to cancel the original signals.

The termination is prepared by soldering a 120Ω 1/4 W resistor between pins 2 and 3 of the 5-pin male XLR connector, as shown in figure.



## - 4 - MAINTENANCE

### 4.1 MAINTENANCE AND CLEANING THE UNIT

- Make sure the area below the installation place is free from unwanted persons during setup.
- Switch off the unit, unplug the main cable and wait until the unit has cooled down.
- All screws used for installing the device and any of its parts should be tightly fastened and should not be corroded.
- Housings, fixations and installation spots (ceiling, trusses, suspensions) should be totally free from any deformation.
- When the lens is visibly damaged due to cracks or deep scratches, it must be replaced.
- The main cables must be in impeccable condition and should be replaced immediately even when a small problem is detected.
- In order to protect the device from overheating the cooling fans (if any), and ventilation openings should be cleaned monthly.

To ensure optimal operation and performance for a long time it is essential to periodically clean the parts subject to dust and grease deposits. The frequency with which the following operations are to be carried out depends on various factors, such as the amount of the effects and the quality of the working environment (air humidity, presence of dust, salinity, etc.). Use a soft cloth dampened with any detergent liquid for cleaning glass to remove the dirt from the reflectors, from the lenses and filters.

It is recommended that the projector undergoes an annual service by a qualified technician for special maintenance involving at least the following operations:

- General cleaning of internal parts..
- Restoring lubrication of all parts subject to friction, using lubricants specifically.
- General visual check of the internal components, cabling, mechanical parts, etc.
- Electrical, photometric and functional checks; eventual repairs.

Warning: we strongly recommend internal cleaning to be carried out by qualified personnel!

### 4.2 FUSE REPLACEMENT

1. Disconnect this product from the power outlet.
2. Using a screwdriver, unscrew the fuse holder cap from the housing.
3. Remove the blown fuse and replace with a good fuse of the same type and rating.
4. Screw the fuse holder cap back in place and reconnect power.

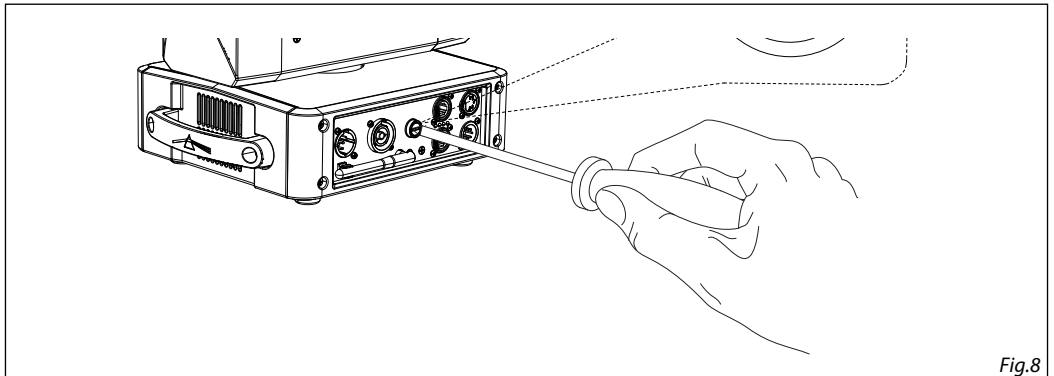


Fig.8

### 4.3 TROUBLESHOOTING

Problems	Possible causes	Checks and remedies
Fixture does not light up	<ul style="list-style-type: none"> <li>• No mains supply</li> <li>• Dimmer fader set to 0</li> <li>• All color faders set to 0</li> <li>• Faulty LED</li> <li>• Faulty LED board</li> </ul>	<ul style="list-style-type: none"> <li>• Check the power supply voltage</li> <li>• Increase the value of the dimmer channels</li> <li>• Increase the value of the color channels</li> <li>• Replace the LED board</li> <li>• Replace the LED board</li> </ul>
General low light intensity	<ul style="list-style-type: none"> <li>• Dirty lens assembly</li> <li>• Misaligned lens assembly</li> </ul>	<ul style="list-style-type: none"> <li>• Clean the fixture regularly</li> <li>• Install lens assembly properly</li> </ul>
Fixture does not power up	<ul style="list-style-type: none"> <li>• No power</li> <li>• Loose or damaged power cord</li> <li>• Faulty internal power supply</li> </ul>	<ul style="list-style-type: none"> <li>• Check for power on power outlet</li> <li>• Check power cord</li> <li>• Replace internal power supply</li> </ul>
Fixture does not respond to DMX	<ul style="list-style-type: none"> <li>• Wrong DMX addressing</li> <li>• Damaged DMX cables</li> <li>• Bouncing signals</li> </ul>	<ul style="list-style-type: none"> <li>• Check control panel and unit addressing</li> <li>• Check DMX cables</li> <li>• Install terminator as suggested</li> </ul>

Contact an authorized service center in case of technical problems or not reported in the table can not be resolved by the procedure given in the table.

Music & Lights S.r.l. si riserva ogni diritto di elaborazione in qualsiasi forma delle presenti istruzioni per l'uso.  
La riproduzione - anche parziale - per propri scopi commerciali è vietata.

Al fine di migliorare la qualità dei prodotti, la Music&Lights S.r.l. si riserva la facoltà di modificare, in qualunque momento e senza preavviso, le specifiche menzionate nel presente manuale di istruzioni. Tutte le revisioni e gli aggiornamenti sono disponibili nella sezione 'Manuali' sul sito [www.musiclights.it](http://www.musiclights.it)



<b>INDICE</b>	<b>Sicurezza</b>	
	Avvertenze generali .....	4
	Attenzioni e precauzioni per l'installazione .....	4
	<b>1 Introduzione</b>	
	1.1 Descrizione .....	5
	1.2 Specifiche tecniche .....	5
	1.3 Elementi di comando e di collegamento .....	7
	<b>2 Installazione</b>	
	2.1 Montaggio .....	8
	<b>3 Funzioni e impostazioni</b>	
	3.1 Funzionamento .....	9
	3.2 Impostazione base .....	9
	3.3 Struttura menu .....	10
	3.4 Indirizzamento DMX .....	12
	3.5 Configurazioni canali DMX .....	13
	3.6 Impostazioni Wireless .....	13
	3.7 Ethernet .....	13
	3.8 Movement .....	14
	3.9 Screen .....	14
	3.10 Fixture .....	15
	3.11 Auto test .....	15
	3.12 Manual test .....	15
	3.13 Advanced .....	16
	3.14 Informazioni sul dispositivo .....	16
	3.15 DMX view .....	16
	3.16 Canali DMX .....	17
	3.17 Collegamenti della linea DMX .....	21
	3.18 Costruzione del terminatore DMX .....	21
	<b>4 Manutenzione</b>	
	4.1 Manutenzione e pulizia del sistema ottico .....	22
	4.2 Sostituzione fusibile .....	22
	4.3 Risoluzione dei problemi .....	23

---

**Contenuto dell'imballo:**

- PIXIEWASHXB
  - OS24 (2 pz)
  - Cavo di alimentazione
  - Cavo di sicurezza
  - Manuale utente
-




**ATTENZIONE!** Prima di effettuare qualsiasi operazione con l'unità, leggere con attenzione questo manuale e conservarlo accuratamente per riferimenti futuri. Contiene informazioni importanti riguardo l'installazione, l'uso e la manutenzione dell'unità.



## SICUREZZA

### Avvertenze generali

- I prodotti a cui questo manuale si riferisce sono conformi alle Direttive della Comunità Europea e pertanto recano la sigla **CE**.
- Il dispositivo funziona con pericolosa tensione di rete 230V~. Non intervenire mai al suo interno al di fuori delle operazioni descritte nel presente manuale; esiste il pericolo di una scarica elettrica.
- È obbligatorio effettuare il collegamento ad un impianto di alimentazione dotato di un'efficiente messa a terra (apparecchio di Classe I secondo norma EN 60598-1). Si raccomanda, inoltre, di proteggere le linee di alimentazione delle unità dai contatti indiretti e/o cortocircuiti verso massa tramite l'uso di interruttori differenziali opportunamente dimensionati.
- Le operazioni di collegamento alla rete di distribuzione dell'energia elettrica devono essere effettuate da un installatore elettrico qualificato. Verificare che frequenza e tensione della rete corrispondono alla frequenza ed alla tensione per cui l'unità è predisposta, indicate sulla targhetta dei dati elettrici.
- L'unità non per uso domestico, solo per uso professionale.
- Evitare di utilizzare l'unità:
  - in luoghi soggetti a vibrazioni, o a possibili urti;
  - in luoghi a temperatura superiore ai 45°C.
- Evitare che nell'unità penetrino liquidi infiammabili, acqua o oggetti metallici.
- Non smontare e non apportare modifiche all'unità.
- Tutti gli interventi devono essere sempre e solo effettuati da personale tecnico qualificato. Rivolgersi al più vicino centro di assistenza tecnica autorizzato.
- Se si desidera eliminare il dispositivo definitivamente, consegnarlo  per lo smaltimento ad un'istituzione locale per il riciclaggio.

### Attenzioni e precauzioni per l'installazione

- Se il dispositivo dovesse trovarsi ad operare in condizioni differenti da quelle descritte nel presente manuale, potrebbero verificarsi dei danni; in tal caso la garanzia verrebbe a decadere. Inoltre, ogni altra operazione potrebbe provocare cortocircuiti, incendi, scosse elettriche, rotture etc.
- Prima di iniziare qualsiasi operazione di manutenzione o pulizia sull'unità togliere la tensione dalla rete di alimentazione.
- È assolutamente necessario proteggere l'unità per mezzo di una fune di sicurezza. Nell'eseguire qualsiasi intervento attenersi scrupolosamente a tutte le normative (in materia di sicurezza) vigenti nel paese di utilizzo.
- Questo prodotto è solo per uso interno.
- La distanza minima tra il proiettore e le pareti circostanti deve essere superiore a 50 cm e non devono essere ostruite, in nessun caso, le aperture di aerazione.
- Mantenere i materiali infiammabili ad una distanza di sicurezza dall'unità.
- La temperatura massima raggiungibile sulla superficie esterna dell'unità, in condizioni di regime termico, è elevata. Dopo lo spegnimento, attendere 15 minuti per il raffreddamento.
- I filtri, le lenti o gli schermi ultravioletti se danneggiati possono limitare la loro efficienza.
- I LED devono essere sostituiti se danneggiati o termicamente deformati.
- Non guardare direttamente il fascio luminoso. Tenete presente che i veloci cambi di luce possono provocare attacchi d'epilessia presso persone fotosensibili o epilettiche.
- Questo prodotto è stato progettato e costruito esclusivamente per l'utilizzo indicato in questa documentazione. Qualsiasi altro utilizzo non espressamente indicato potrebbe pregiudicare la funzionalità del prodotto e/o rappresentare fonte di pericolo.
- Si declina qualsiasi responsabilità derivata dall'uso improprio del prodotto.

## - 1 - INTRODUZIONE

### 1.1 DESCRIZIONE

PIXIEWASHXB reinvents the concept of the moving LED wash light; bringing together the classic styling of a traditional wash luminaire and applying the very latest innovations in the field of LED technology. The large frontal plano-convex lens delivers a stunning level of brightness and an exceptional zoom range with a 1:8 ratio, combined with a proprietary 280W RGB and warm white LED module delivering a high-quality white reproduction with high CRI and TLCI parameters as well an extremely precise colour tuning. PIXIEWASHXB is an ideal solution for any application where users want a superior light quality but without the view of multi-cell fixtures. Being compact, fast and silent, the PIXIEWASHXB offers unprecedented flexibility and is ideal for use in theatres, TV, corporate and festivals.

### 1.2 SPECIFICHE TECNICHE

#### **SORGENTE LUMINOSA**

- Sorgente: 280W RGB + bianco caldo
- CT: 6500K
- CRI: >92
- R9: >94
- Flusso luminoso: (6°) 3670 lm - (45°) 3795lm
- Lux: (6°) 29900 lux - (45°) 1590lux @3m full
- Lux: (6°) 10764 lux - (45°) 572lux @5m full
- Durata media sorgente: 70000
- Altro: TM-30-15RF/RG: 90/99 - TLCI: >85

#### **OTTICA**

- Zoom: 6° - 45° motorizzato, lineare
- Angolo di campo: 11° - 43°
- Diametro: 125mm
- Tipo lente: gruppo ottico composto da lente in vetro HQ

#### **SISTEMA COLORE**

- Miscelazione del colore: RGB+Warm White
- CTC: controllo CTC tramite canale DMX indipendente, regolazione +/- verde e magenta e attivazione amber shift da DMX
- Preset bianchi: 2800K-10000K
- Ruota colori: ruota colori virtuale con preset
- Macros: macro con controllo di velocità e intensità incorporate

#### **CORPO**

- Hardware a bordo: prese OMEGA per armamento rapido (morsetto incluso)
- Pan angle: 540°
- Tilt angle: 250°
- Risoluzione Pan/Tilt: 8/16bit
- Feedback: riposizionamento automatico dopo movimenti accidentali
- Corpo: alluminio pressofuso
- Colore: nero

#### **CONTROLLO**

- Protocolli: DMX512, RDM, Art-Net,W-DMX
- Canali DMX: 13 / 15 / 16 / 18 / 22 / 23channel
- W-DMX: integrato, ricevitore ad antenna (2.4 GHz) by Wireless Solution Sweden
- RDM: RDM ready per controllo e impostazioni remote della fixture

- Display: display a colori LCD ad alta risoluzione con rotazione automatica
- Aggiornamento firmware: sì, con interfaccia USB-DMX (UPBOX1) non inclusa

### ELETRONICA

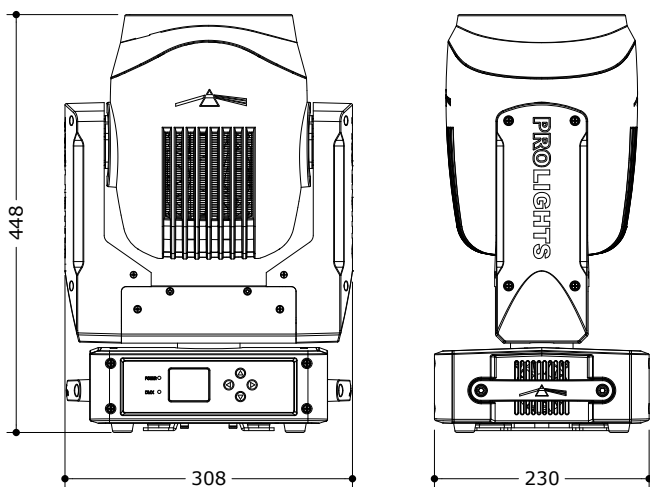
- Dimmer: 0~100% lineare, elettronico
- Curve dimmer: curve dimmer regolabili
- Strobe / shutter: 1-30 Hz, elettronico
- Batteria di backup: batteria tampone per l'accesso al menu anche senza alimentazione
- Temperatura d'esercizio:  $-10^{\circ} \sim +45^{\circ}$
- Flicker: frequenza senza flicker con PWM regolabile

### ALIMENTAZIONE

- Potenza assorbita: 338W
- Alimentazione elettrica: 100-240V – 50/60Hz
- Potenza assorbita (a 230V): 338W
- Potenza assorbita (a 120V): 342W
- Output (a 230V): 3 unità connesse in serie
- Output (a 120V): 2 unità connesse in serie
- Fattore di potenza: pF 0.99 @ 120V - pF 0.95 @ 230V

### CARATTERISTICHE FISICHE

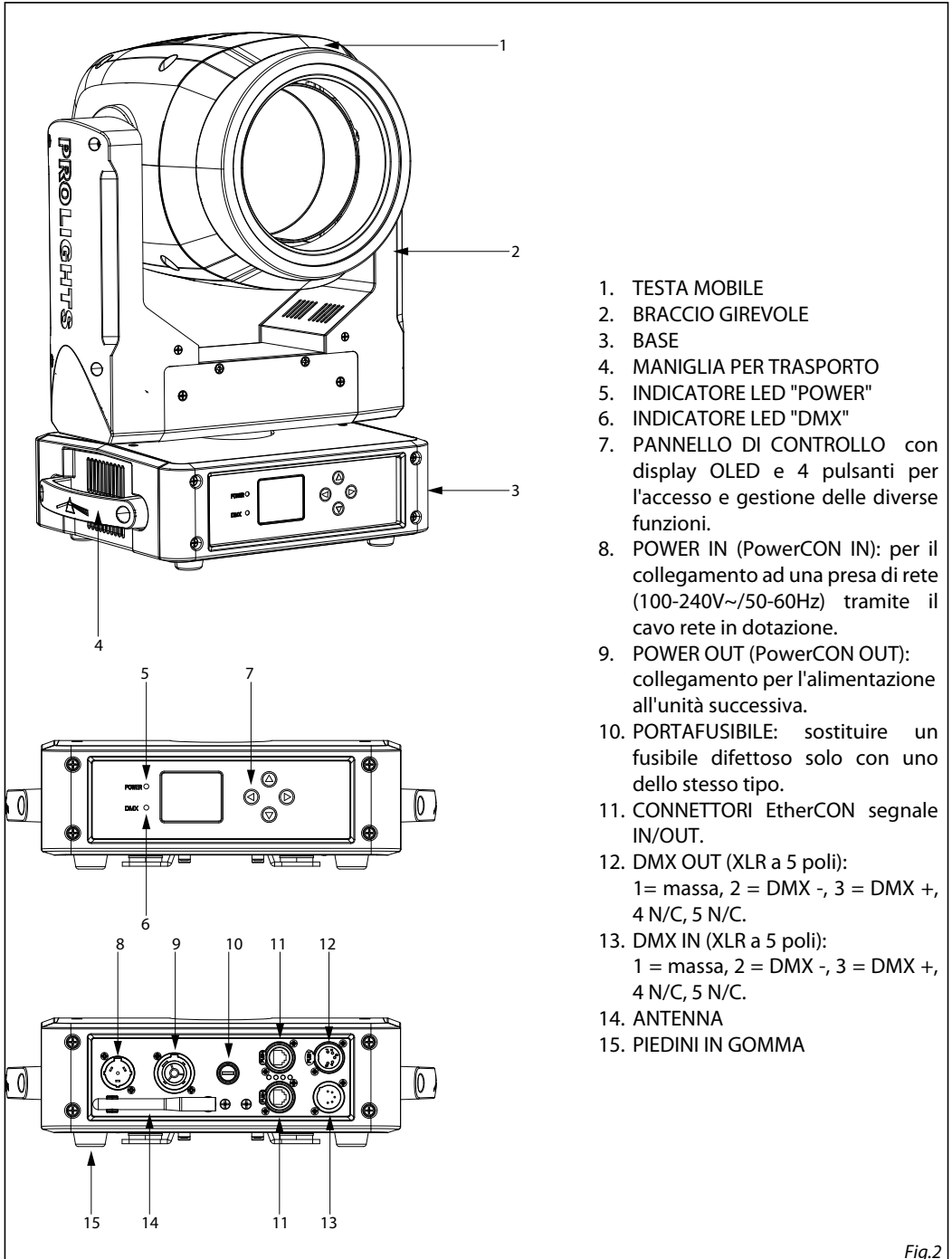
- Raffreddamento: sistema di dissipazione a con heating-pipe
- Sospensione e fissaggio: qualsiasi posizione con supporti omega (inclusi) "quicklock"
- Connessione di segnale: Amphenol XLR 5p IN/OUT connectors
- Connessione dati: Art-Net RJ45 IN/OUT
- Connessione di alimentazione: Seetronic powerKon waterproof IN/OUT connectors
- Grado IP: 20
- Dimensioni (LxAxP): 308x448x230mm
- Peso: 13.6kg



Disegno tecnico

Fig.1

## 1.3 ELEMENTI DI COMANDO E DI COLLEGAMENTO



1. TESTA MOBILE
2. BRACCIO GIREVOLE
3. BASE
4. MANIGLIA PER TRASPORTO
5. INDICATORE LED "POWER"
6. INDICATORE LED "DMX"
7. PANNELLO DI CONTROLLO con display OLED e 4 pulsanti per l'accesso e gestione delle diverse funzioni.
8. POWER IN (PowerCON IN): per il collegamento ad una presa di rete (100-240V~/50-60Hz) tramite il cavo rete in dotazione.
9. POWER OUT (PowerCON OUT): collegamento per l'alimentazione all'unità successiva.
10. PORTAFUSIBILE: sostituire un fusibile difettoso solo con uno dello stesso tipo.
11. CONNETTORI EtherCON segnale IN/OUT.
12. DMX OUT (XLR a 5 poli):  
1 = massa, 2 = DMX -, 3 = DMX +, 4 N/C, 5 N/C.
13. DMX IN (XLR a 5 poli):  
1 = massa, 2 = DMX -, 3 = DMX +, 4 N/C, 5 N/C.
14. ANTENNA
15. PIEDINI IN GOMMA

Fig.2

## - 2 - INSTALLAZIONE

### 2.1 MONTAGGIO

Il PIXIEWASHXB può essere collocato su un piano solido. Inoltre, grazie ai fori di fissaggio, l'unità può essere montata anche a testa in giù, su una traversa (fig.3). Per il fissaggio occorrono dei supporti robusti per il montaggio. Come si vede nell'illustrazione, i perni del sistema di aggancio rapido, dei supporti omega, sono da inserire nelle apposite sedi della piastra dove vengono bloccati con una rotazione in senso orario (fino all'arresto). Assicurarsi che l'unità sia saldamente fissata al fine di evitare vibrazioni e scivolamenti durante il funzionamento. L'area di collocazione deve avere una stabilità sufficiente e supportare almeno 10 volte il peso dell'unità. Inoltre assicurarsi di rispettare tutte le avvertenze in materia di sicurezza. È assolutamente necessario assicurare il proiettore contro la caduta utilizzando un cavo di sicurezza: in particolare collegare il cavo in un punto adatto in modo che la caduta del proiettore non possa superare i 20 cm.

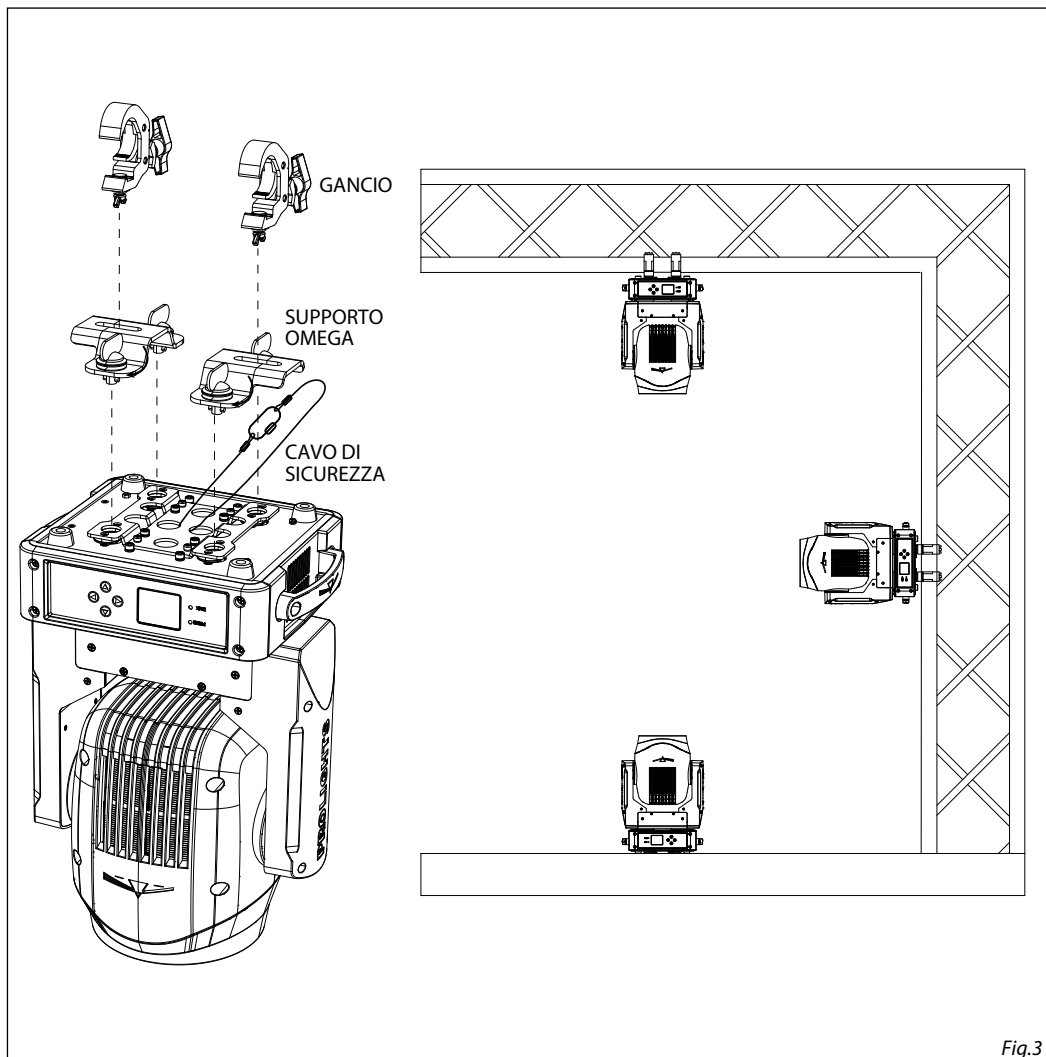


Fig.3

## - 3 - FUNZIONI E IMPOSTAZIONI

### 3.1 FUNZIONAMENTO

Per accendere il PIXIEWASHXB inserire la spina del cavo di alimentazione in una presa di rete (100-240V~/50-60Hz). La testa mobile e tutti i motori di comando si mettono in una precisa posizione di partenza. Poco dopo l'unità è pronta. Per spegnere il PIXIEWASHXB, staccare la spina dalla presa di rete. Per maggiore comodità è consigliabile collegare l'unità con una presa comandata da un interruttore.

NOTA: for the factory default settings, the **Calibrated** function is active on the PIXIEWASHXB. Refer to paragraph "Fixture Settings" (page 15).

### 3.2 IMPOSTAZIONE BASE

Il PIXIEWASHXB dispone di un display LCD e di 4 pulsanti per l'accesso alle funzioni del pannello di controllo e per la loro gestione (fig.4).

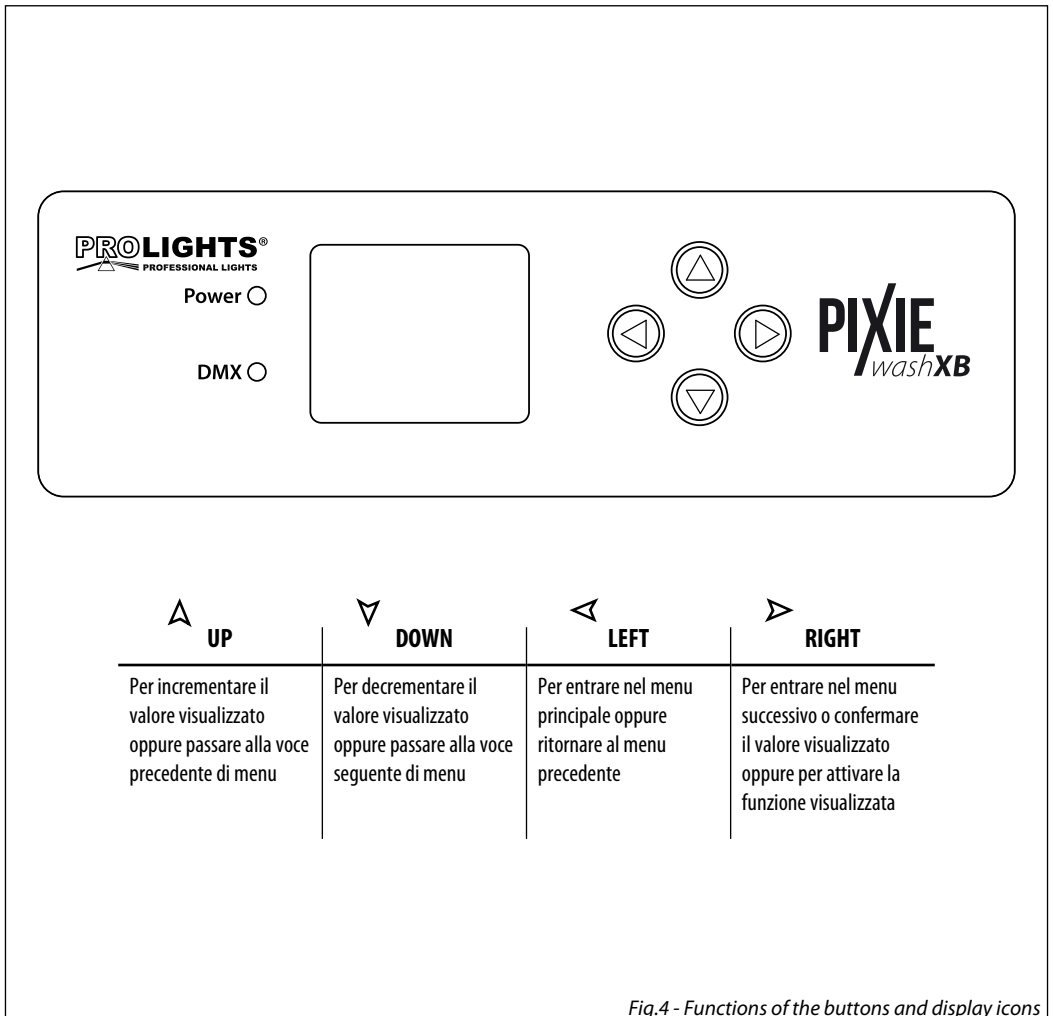


Fig.4 - Functions of the buttons and display icons

## 3.3 STRUTTURA MENU

MENU							
1	<b>CONNECT</b>	DMX Address	⇒ Value (1-512)	Default: 1			
		DMX Mode	⇒ STANDARD-13CH STANDARD-15CH STANDARD-16CH EXTENDED-18CH EXTENDED-22CH EXTENDED-23CH	Default: EXTENDED 22CH			
		Wireless Setting	Receive Off/On	⇒ Off On	Default :Off		
			Receive Reset	⇒ No Yes	Default :No		
			Wireless To DMX	⇒ No Yes	Default :Yes		
		Ethernet	Universe	⇒ 0-255	Default: 0		
			Start Channel	⇒ 1-512	Default:1		
			IP Address	⇒ 2.133.139.215			
			Ethernet To DMX	⇒ NO	Default :Yes		
		2	<b>SETUP</b>	Movement	Pan Reverse	⇒ No Yes	Default: No
					Tilt Reverse	⇒ No Yes	Default: No
					Zoom Reverse	⇒ No Yes	Default: No
					Pan Feedback	⇒ No Yes	Default: Yes
					Tilt Feedback	⇒ No Yes	Default: Yes
Screen	Back Light			⇒ On 10s 20s 30s	Default: 10s		
	Flip Display			⇒ No Yes Auto	Default: No		
	DMX Led			⇒ Off On	Default:Off		
	Warn Cue			⇒ Off On	Default:On		
	Key Lock			⇒ No Yes	Default: No		
	Fixture			Full On Mode	⇒ HB Studio	Default: Studio	
White Balance				⇒ Off Manual	⇒ Red Green Blue Warm White		
				⇒ 125-255			
Calibrated					Default: Activeted		



	⇒ Dimmer Mode	⇒ Off Dimmer 1 Dimmer 2 Dimmer 3	Default: Off
	⇒ Dimmer selection	⇒ Option 1 Option 2 Option 3	Default: Option 2
	⇒ LED Frequency	⇒ 600Hz 1000Hz 2000Hz 4000Hz 8000Hz 25KHz	Default: 2000Hz
	⇒ Fan Mode	⇒ Auto Silent High Off	Default: Auto
	⇒ Temperature unit	⇒ °C °F	Default: °C
	⇒ Auto Test	⇒ Auto Test ...	
	⇒ Manual Test	⇒ Pan Pan Fine Tilt Tilt Fine P/T Speed Dimmer Shutter Red Green Blue White Zoom	Default: Tilt=128 Dimmer=255 Shutter = 255

3	<b>ADVANCED</b>	⇒ Reset	⇒ All Pan Tilt Zoom	
		⇒ Adjust	⇒ Pan Offset Tilt Offset Zoom Offset	⇒ 000-255
		⇒ Factory Reload	⇒ No Yes	

4	<b>INFORMATION</b>	⇒ Fixture Time	⇒ 0-9999	Default: 0
		⇒ Temperature	⇒ 58 °C	
		⇒ Fans Speed	⇒ **%	
		⇒ Software Version	⇒ DISP- V1.0 NET-V1.0 CTR1-XY- V1.0 CTR2-MOTOR-V1.0	
		⇒ UID	⇒ 15D00225****	
		View DMX		

### 3.4 INDIRIZZAMENTO DMX

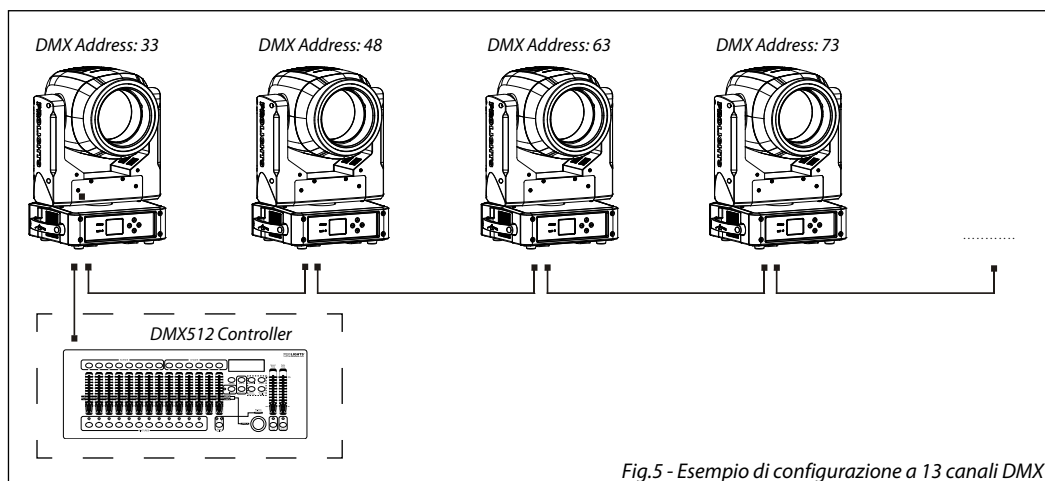
Per impostare l'indirizzo DMX procedere nel seguente modo:

- Dalla schermata iniziale, premere il tasto LEFT per accedere al menu principale.
- Premere il tasto UP/DOWN per selezionare la voce **Connect**, quindi premere il tasto RIGHT.
- Premere il tasto UP/DOWN per selezionare la voce **DMX Address**, confermare con il tasto RIGHT.
- Impostare con i tasti direzionali il valore desiderato (**001-512**). Premere il tasto RIGHT per confermare.
- Premere il tasto LEFT più volte per tornare al menu principale.

Per il funzionamento tramite un'unità di comando luce con protocollo DMX512, è sufficiente collegare PIXIEWASHXB al controller. Il proiettore dispone di configurazione dei canali DMX a cui si può accedere dal pannello di controllo. Per poter comandare PIXIEWASHXB con un'unità di comando luce, occorre impostare l'indirizzo di start DMX per il primo canale DMX.

Se, per esempio, sull'unità di comando è previsto l'indirizzo 33 per comandare la funzione del primo canale DMX, si deve impostare sul PIXIEWASHXB l'indirizzo di start 33. Le altre funzioni del pannello saranno assegnate automaticamente agli indirizzi successivi. Segue un esempio con indirizzo 33 di start:

Numero canali DMX	Indirizzo di start (esempio)	Indirizzo DMX occupati	Prossimo indirizzo di start possibile per unità n°1	Prossimo indirizzo di start possibile per unità n°2	Prossimo indirizzo di start possibile per unità n°3
13	33	33-45	46	59	72
15	33	33-48	49	63	78
16	33	33-48	49	65	81
18	33	33-50	51	69	89
22	33	33-54	55	77	99
23	33	33-55	56	79	102



Il collegamento tra le unità si effettua considerando le seguenti operazioni:

1. Collegare l'uscita DMX OUT dell'unità principale con l'ingresso DMX IN della prima unità secondaria servendosi di un cavo XLR a 5 poli.
2. Collegare l'uscita DMX OUT della prima unità secondaria con l'ingresso DMX IN della seconda unità secondaria ecc.

Servirsi dei connettori DMX del PIXIEWASHXB e di un cavo XLR per formare una catena di unità. In certe condizioni e lunghezze si consiglia di effettuare una terminazione come mostrato a pagina 19.

### 3.5 CONFIGURAZIONI CANALI DMX

Il PIXIEWASHXB dispone di 6 configurazioni dei canali DMX a cui si può accedere dal pannello di controllo.

- Dalla schermata iniziale, premere il tasto LEFT per accedere al menu principale.
- Premere il tasto UP/DOWN per selezionare la voce **Connect**, quindi premere il tasto RIGHT.
- Premere il tasto UP/DOWN per selezionare la voce **DMX Channels**, confermare con il tasto RIGHT.
- Usare i tasti UP/DOWN per selezionare la configurazione desiderata: **STANDARD-13CH**, **STANDARD-15CH**, **STANDARD-16CH**, **EXTENDED-18CH**, **EXTENDED-22CH**, **EXTENDED-23CH**.
- Premere il tasto RIGHT per salvare l'impostazione.
- Premere il tasto LEFT più volte per tornare al menu principale.

Le tabelle a pagina 17, 18, 19 indicano le modalità di funzionamento e i relativi valori DMX. Come interfaccia DMX, l'unità possiede dei contatti XLR a 5 poli.

### 3.6 IMPOSTAZIONI WIRELESS

- Per entrare nella modalità Wireless premere il tasto LEFT fino a quando il display mostra **Connect**, dopodiché selezionare **Wireless**, quindi premere il tasto RIGHT.
- Selezionare la funzione **Wireless Receive** usando i pulsanti UP/DOWN, quindi premere il tasto RIGHT.
- Per attivare la funzione **Wireless Receive**, utilizzare i pulsanti UP/DOWN e selezionare l'opzione **On**.
- Premere il pulsante RIGHT per confermare la selezione.
- Premere il pulsante LEFT per tornare indietro o attendere alcuni secondi per uscire dal menu di configurazione.

NOTA: una volta eseguiti questi passaggi, è necessario sincronizzarsi con qualsiasi unità WiFi con la quale si vuol comunicare premendo il pulsante di sincronizzazione su di esso. A questo punto collegare la console DMX all'Unità WiFi per aprire la comunicazione col PIXIEWASHXB.

- Per ripristinare l'unità, selezionare **Receive Reset** utilizzando i pulsanti UP/DOWN, premere il pulsante LEFT fino a quando sul display non viene visualizzato **Connect**, quindi selezionare **Receive Reset** utilizzando i pulsanti UP/DOWN, quindi premere il pulsante RIGHT.
- Per attivare la modalità utilizzare i tasti UP/DOWN e selezionare l'opzione **Yes**.
- Premere il pulsante RIGHT per confermare la selezione.
- Premere il pulsante LEFT per tornare indietro o attendere alcuni secondi per uscire dal menu di configurazione.
- Per attivare la funzione **Wireless to DMX**, utilizzare i pulsanti UP/DOWN per premere il pulsante LEFT fino a quando il display mostra **Connect**, quindi selezionare **Wireless to DMX**, quindi premere il tasto RIGHT.
- Per attivare la modalità utilizzare i pulsanti UP/DOWN e selezionare l'opzione **Yes**.
- Premere il pulsante RIGHT per confermare la selezione.
- Premere il pulsante LEFT per tornare indietro o attendere alcuni secondi per uscire dal menu di configurazione.

### 3.7 ETHERNET

Per le impostazioni ArtNet da attribuire all'unità far riferimento alla seguente sezione del menu.

- Premere il tasto UP/DOWN per scorrere nel menu, selezionare **Connect**, quindi premere il tasto RIGHT per accedere al menu successivo **Ethernet** con il tasto UP/DOWN, quindi premere il tasto RIGHT.
- Selezionare con i tasti UP/DOWN una delle seguenti impostazioni: **Universe**, **Start Channel**, **IP Address**, **Ethernet to DMX**.
- Premere il tasto RIGHT per confermare la scelta ed entrare nel sub menu.

- Impostrare mediante i tasti UP/DOWN il valore desiderato relativo alla funzione scelta. Quindi premere il tasto RIGHT.
- Per attivare la funzione **Ethernet to DMX**, utilizzare i pulsanti UP/DOWN per premere il pulsante LEFT fino a quando il display mostra **Connect**, quindi selezionare **Ethernet**, quindi premere il tasto RIGHT.
- Per attivare la modalità utilizzare i pulsanti UP/DOWN e selezionare l'opzione **Yes**.
- Premere il pulsante RIGHT per confermare la selezione.
- Premere il pulsante LEFT per tornare indietro o attendere alcuni secondi per uscire dal menu di configurazione.

### 3.8 MOVEMENT

- Premere il tasto LEFT per accedere al menu principale.
  - Premere il tasto UP/DOWN per scorrere nel menu, selezionare **Set Up**, quindi premere il tasto RIGHT per accedere al menu successivo.
  - Premere il tasto UP/DOWN per selezionare **Movement** e premere il tasto RIGHT per procedere.
- Selezionare l'opzione proposta con il pulsante UP/DOWN e premere il pulsante RIGHT per confermare.
- **Pan Reverse** - Rotazione nella direzione opposta della testa mobile. **No** per disattivare la funzione (impostazione normale); **Yes** per attivare la funzione (Pan Reverse).
  - **Tilt Reverse** - Inclinazione nella direzione opposta della testa mobile. **No** per disattivare la funzione (impostazione normale); **Yes** per attivare la funzione (Tilt Reverse).
  - **Zoom Reverse** - Zoom nella direzione opposta della testa mobile. **No** per disattivare la funzione (impostazione normale); **Yes** per attivare la funzione (Zoom Reverse).
  - **Pan/Tilt Feedbacks**- Inclinazione nella direzione opposta della testa mobile. **No** per disattivare la funzione (impostazione normale), **Yes** per attivare la funzione (Inclinazione indietro).
- Premere il pulsante RIGHT per confermare la selezione.
  - Premere ripetutamente il tasto LEFT per uscire dal menu e salvare le modifiche apportate.

### 3.9 SCREEN

È possibile modificare i seguenti parametri, come mostrato, seguendo la stessa procedura:

- Premere il tasto LEFT per accedere al menu principale.
- Premere il tasto UP / DOWN per scorrere nel menu, selezionare **Set Up**, quindi premere il tasto RIGHT per accedere al menu successivo.
- Premere il tasto UP / DOWN per selezionare Screen e premere il tasto RIGHT per procedere.
- Controlla l'opzione proposta con il tasto UP / DOWN e premi il tasto RIGHT per confermare.
  - **Backlight** - Retroilluminazione display Auto Off. Questa funzione consente di spegnere automaticamente la retroilluminazione del display dopo un determinato tempo che può essere impostato tramite i tasti direzionali. Per avere il display sempre acceso seleziona **On** oppure imposta un valore (**10s, 20s, 30s**) per far funzionare il display una volta trascorso il tempo scelto, dopo l'uscita dal menu.-
  - **Flip Display** - Orientamento del display. Questa funzione consente di ruotare il display di 180° per ottenere una migliore visualizzazione del display quando l'unità è sospesa a testa in giù. Selezionare **Yes** per attivare la funzione oppure **No** per disattivare.
  - **Warn Cue** - Avviso di errore. Utilizzare i tasti direzionali per selezionare **OFF** oppure **On** a seconda che si voglia o meno che mostri avvisi di errore.
  - **Key lock** - Blocco tasti. Con questa funzione è possibile bloccare i tasti del pannello di controllo, per evitare, ad esempio, manomissioni delle impostazioni. Se questa funzione è attiva, i tasti vengono bloccati automaticamente. Per ripristinare o disattivare la funzione di blocco tasti, premere i tasti nel seguente ordine , per riottenere l'accesso ai comandi di menu: UP, DOWN, UP, DOWN, RIGHT. Selezionare **Yes** per eseguire la funzione oppure **No** per disattivare.
- Premere il tasto RIGHT per conferma la scelta.

- Premere il tasto LEFT più volte per uscire dal menu e per salvare le modifiche apportate.

### 3.10 FIXTURE SETTINGS

Puoi modificare i parametri seguendo questi passaggi:

- Premere il tasto LEFT per accedere alla modalità menu.
- Utilizzare i pulsanti UP/DOWN per selezionare l'impostazione del sistema. Premere il pulsante RIGHT per confermare.
- Premere i pulsanti UP/DOWN per selezionare l'opzione desiderata e premere il pulsante RIGHT per confermare:
  - **Full On Mode** - Seleziona la funzione **Full on Mode** per selezionare la modalità **HB** (modalità High Brightness, con il valore massimo dei colori) o **Studio**, con una calibrazione automatica del bianco a 6000 K.
  - Tramite la modalità **Studio** è possibile l'uso separato dei 4 colori singoli, soltanto quando tutti i colori sono full si otterrà il color temperature di 6000 K. Quindi questo significa che con questa funzione attivata il bianco del PIXIEWASHXB non è bianco caldo ma bianco freddo standard a 6000K.
  - **White Balance** - Selezionare la funzione **White Balance** per impostare il bilanciamento del bianco modificando i valori (**125-255**) dei colori **Red, Green, Blue and White**.
  - **Calibrated** - Con questa funzione attiva, quando i colori RGB saranno full, si otterrà il 6000 K. All stesso modo, utilizzando solo il canale Warm White, si otterrà comunque il 6000 K.

NOTE: per ottenere il 3000 K usando il canale del Warm White, si dovrà necessariamente disattivare la funzione **Calibrated** ed attivare la funzione **Studio**.

- **Dimmer Mode** - Modalità Dimmer - Regolazione del dimmer. Entra in modalità Dimmer per selezionare la specifica curva dimmer.
- **Off**: l'aumento dell'intensità della luce è lineare
- **Dimmer 1**: curva dimmer con fade bassa.
- **Dimmer 2**: curva dimmer con fade media.
- **Dimmer 3**: curva dimmer con fade alto.
  - **Dimmer selection** - Ha la funzione di cambiare il comportamento del Dimmer. Selezionare l'opzione desiderata (**Option 1/Option 2/Option 3**).
  - **Fan Mode** - Velocità ventole. Selezionare la velocità della ventola (**Off, Auto, Silent, High**) tramite il pulsante UP/DOWN, quindi confermare con il tasto RIGHT.
  - **Temperature unit**. Selezionare l'unità di temperatura **Celsius / Fahrenheit** e quindi premere il tasto RIGHT per confermare la scelta.
- Premere ripetutamente il tasto LEFT per tornare alla modalità menu.

### 3.11 AUTO TEST

Permette il controllo del corretto funzionamento dell'unità. Per avviare il test automatico procedere nel modo seguente:

- Premere il tasto RIGHT per accedere alla modalità menu.
- Utilizzare i pulsanti UP/DOWN per selezionare **Fixture**. Premere il pulsante RIGHT per confermare.
- Premere i pulsanti UP/DOWN per selezionare **Auto Test** e premere RIGHT per confermare.
- Per confermare e avviare il test automatico, premere il pulsante RIGHT.

### 3.12 MANUAL TEST

Permette di effettuare regolazioni sugli effetti per ottenere un perfetto equilibrio tra i proiettori.

- Premere il tasto LEFT per accedere alla modalità menu.
- Premere i pulsanti UP/DOWN per selezionare la voce **Fixture**. Quindi premere il tasto RIGHT.
- Premere i pulsanti UP/DOWN per selezionare **Manual Test**. Quindi premere il tasto RIGHT.

- Seleziona l'effetto che desideri modificare (**Pan, Pan Fine, Tilt, Tilt Fine, P/T Speed, Dimmer, Shutter, Red, Green, Blue, White, Zoom**). Quindi premi il pulsante RIGHT per confermare
- Utilizzare i tasti direzionali per calibrare l'effetto impostando un valore compreso tra **0 - 255**. Quindi premere il pulsante RIGHT per confermare
- Premere ripetutamente il tasto LEFT per tornare alla modalità menu.

### 3.13 ADVANCED

È possibile modificare i seguenti parametri seguendo la stessa procedura:

- Premere il pulsante LEFT per accedere al menu principale.
- Premere il pulsante UP/DOWN per scorrere il menu, selezionare **Advanced**, quindi premere il pulsante RIGHT per accedere al menu successivo.
- Premere il pulsante UP/DOWN per selezionare uno dei seguenti parametri:
  - **Reset** - Per avviare un programma preimpostato per ripristinare la funzione selezionata (**All, Pan, Tilt, Zoom**).
  - **Adjust** - Per consente di modificare tutti i parametri. Per entrare in questa modalità, inserire la password "050". Selezionare la funzione desiderata (**Pan Offset, Tilt Offset, Zoom Offset**) e scegliere il valore (**0 - 255**).
  - **Factory Reload** - Per ripristinare l'unità. Selezionare **Yes** o **No** e selezionare RIGHT per confermare.
- Premere il pulsante RIGHT per confermare la selezione e attendere che la funzione selezionata sia ripristinata.
- Premere ripetutamente il tasto LEFT per uscire dal menu e salvare le modifiche apportate.

### 3.14 INFORMAZIONI SUL DISPOSITIVO

Per visualizzare tutte le informazioni sul dispositivo, procedere nel modo seguente:

- Premere il pulsante LEFT per accedere al menu principale. Premere il tasto UP/DOWN per selezionare Informazioni, quindi premere il tasto RIGHT per accedere al menu successivo.
- Premere il pulsante UP/DOWN per scorrere il menu, quindi selezionare **Information** e premere il pulsante RIGHT per accedervi. Dopodichè selezionare una delle seguenti modalità:
  - **Fixture Time** - Per vedere il tempo di funzionamento del proiettore.
  - **Temperature** - Per visualizzare la temperatura del dispositivo in ° C sul display.
  - **Fans Speed** - per visualizzare sul display la velocità della ventola presente vicino alla lampada.
  - **Software Version** - To view the firmware version will show on the display.
  - **UID** - per visualizzare l'ID di identificazione per il controllo RDM.
- Premere il pulsante RIGHT per confermare la selezione e attendere che la funzione selezionata sia ripristinata.
- Premere ripetutamente il tasto LEFT per uscire dal menu e salvare le modifiche apportate.

### 3.15 DMX VIEW

Selezionare la funzione **View DMX** per visualizzare tutti visualizza i valori DMX ricevuti dal dispositivo per ogni canale durante il suo funzionamento.

## 3.16 CANALI DMX

MODE 13 Ch	MODE 15 Ch	MODE 16 Ch	MODE 18 Ch	MODE 22 Ch	MODE 23 Ch	FUNCTION	DMX Value
1	1	1	1	1	1	<b>PAN COARSE</b> 0~100%	000 - 255
2	2	2	2	2	2	<b>PAN FINE</b> 0~100%	000 - 255
3	3	3	3	3	3	<b>TILT COARSE</b> 0~100%	000 - 255
4	4	4	4	4	4	<b>TILT FINE</b> 0~100%	000 - 255
5	5	5	5	5	5	<b>PAN/TILT SPEED</b> Fastest to slow Movement with Blackout	000 - 250 251 - 255
6		6				<b>SPECIAL FUNCTION</b> No function Pan &Tilt Reset (Hold 3 Second) No function Zoom Reset (Hold 3 Second) No function	000-049 050-099 100-149 150-199 200-255
	6		6	6	6	<b>SHUTTER</b> No function (shutter open) Shutter effect slow to fast No function (shutter open) Pulse-effect in sequences No function (shutter open) Random Shutter effect slow to fast No function (shutter open)	000 - 010 011 - 082 083 - 093 094 - 163 164 - 174 175 - 244 245 - 255
7	7	7	7	7	7	<b>DIMMER 8bit</b> 0~100%	000 - 255
			8	8	8	<b>DIMMER 16bit</b> 0~100%	000 - 255
		16	9	9	9	<b>DIMMER FADE</b> 0~100%	000 - 255
8		8				<b>SHUTTER</b> Shutter closed No function (Shutter open) Shutter effect slow to fast No function (Shutter open) Pulse-effect in sequences No function (Shutter open) Random Shutter effect slow to fast No function (Shutter open)	000 - 031 032 - 063 064 - 095 096 - 127 128 - 159 160 - 191 192 - 223 224 - 255

MODE 13 Ch	MODE 15 Ch	MODE 16 Ch	MODE 18 Ch	MODE 22 Ch	MODE 23 Ch	FUNCTION	DMX Value
	8		10	10	10	<b>CONTROL</b> No Function CTC CTC+Amber Shift Forward Spin Reverse Spin Continuous TBD	000 - 015 016 - 023 024 - 031 032 - 047 048 - 063 064 - 079 080 - 255
		13				<b>COLOR FUNCTION</b> No Function CTC Function Forward Spin Reverse Spin Continuous TBD	000 - 019 020 - 039 040 - 059 060 - 079 080 - 099 100 - 255
		14				<b>COLOR</b> Color Temperature Correction 2000K -->3000K White 3200 K White 4200 K White 5600 K White 8000 K <b>FORWARD SPIN</b> Rainbow Effect (Slow to Fast) <b>REVERSE SPIN</b> Rainbow Effect (Slow to Fast) <b>CONTINUOS</b> Black Red Green Blue White Red=0; Green ->Up; Blue=Full; White=0 Red=0; Green =Full; Blue->Down; White=0 Red->Up; Green=Full; Blue=0; White=0 Red=Full; Green ->Down; Blue=0; White=0 Red=Full; Green=0; Blue->Up; White=0 Red->Down; Green=0; Blue=Full; White=0	000 - 223 224 - 231 232 - 239 240 - 247 248 - 255 000 - 255 000 - 255 000 - 000 001 - 001 002 - 002 003 - 003 004 - 004 005 - 046 047 - 088 089 - 130 131 - 172 173 - 214 215 - 255



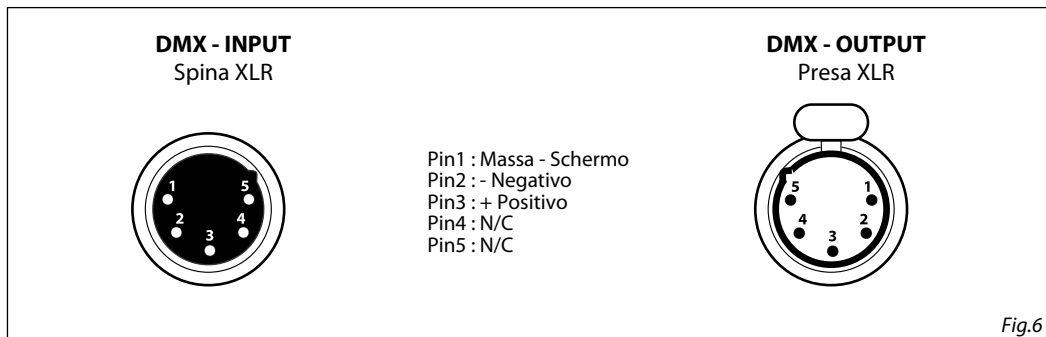
MODE 13 Ch	MODE 15 Ch	MODE 16 Ch	MODE 18 Ch	MODE 22 Ch	MODE 23 Ch	FUNCTION	DMX Value
						<b>CTC or CTC+AMBER SHIFT</b>	
						2800K	000 - 000
						3000K	001 - 010
						3200K	011 - 020
						3400K	021 - 030
						3600K	031 - 040
						3800K	041 - 050
						4000K	051 - 060
						4200K	061 - 070
						4400K	071 - 080
						4600K	081 - 090
						4800K	091 - 100
						5000K	101 - 110
						5200K	111 - 120
						5400K	121 - 130
						5600K	131 - 140
						5800K	141 - 150
						6000K	151 - 160
						6200K	161 - 170
						6400K	171 - 180
						6600K	181 - 190
						6800K	191 - 200
	9		11	11	11	7000K	201 - 210
						7200K	211 - 220
						7400K	221 - 230
						7600K	231 - 240
						7800K	241 - 250
						8000K	251 - 255
						<b>COLOR(FW spin)</b>	
						Rainbow Effect (Slow to Fast)	000 - 255
						<b>COLOR(RW spin)</b>	
						Rainbow Effect (Slow to Fast)	000 - 255
						<b>COLOR (Continuous)</b>	
						Black	000 - 000
						Red	001 - 001
						Green	002 - 002
						Blue	003 - 003
						Warm White	004 - 004
						Red=0, Green->up, Blue=full, Warm White=0	005 - 046
						Red=0, Green=full, Blue->down, Warm White=0	047 - 088
						Red->up, Green=full, Blue=0, Warm White=0	089 - 130
						Red=full, Green->down, Blue=0, Warm White=0	131 - 172
						Red=full, Green=0, Blue->up, Warm White=0	173 - 214
						Red->down, Green=0, Blue=full, Warm White=0	215 - 255
					12	<b>HUE</b>	
						0	000 - 000
						-25~25	001 - 255

MODE 13 Ch	MODE 15 Ch	MODE 16 Ch	MODE 18 Ch	MODE 22 Ch	MODE 23 Ch	FUNCTION	DMX Value
9	10	9	12	12	13	<b>RED</b> 0~100%	000 - 255
				13	14	<b>RED FINE</b> 0~100%	000 - 255
10	11	10	13	14	15	<b>GREEN</b> 0~100%	000 - 255
				15	16	<b>GREEN FINE</b> 0~100%	000 - 255
11	12	11	14	16	17	<b>BLUE</b> 0~100%	000 - 255
				17	18	<b>BLUE FINE</b> 0~100%	000 - 255
12	13	12	15	18	19	<b>WARM WHITE</b> 0~100%	000 - 255
				19	20	<b>WARM WHITE FINE</b> 0~100%	000 - 255
13	14	15	16	20	21	<b>ZOOM</b> 0~100%	000 - 255
			17	21	22	<b>ZOOM FINE</b> 0~100%	000 - 255
	15		18	22	23	<b>CONTROL</b> No function Reset all Pan&Tilt Reset TBD Zoom Reset TBD(not used) Fast Mode TBD(not used)	000 - 007 008 - 015 016 - 023 044 - 047 048 - 055 056 - 063 064 - 071 072 - 255

### 3.17 COLLEGAMENTI DELLA LINEA DMX

La connessione DMX è realizzata con connettori standard XLR. Utilizzare cavi schermati, 2 poli ritorti, con impedenza 120Ω e bassa capacità.

Per il collegamento fare riferimento allo schema di connessione riportato di seguito:



#### ATTENZIONE

La parte schermata del cavo (calza) non deve mai essere collegata alla terra dell'impianto; ciò comporterebbe malfunzionamenti delle unità e dei controller.

Per passaggi lunghi può essere necessario l'inserimento di un amplificatore DMX.

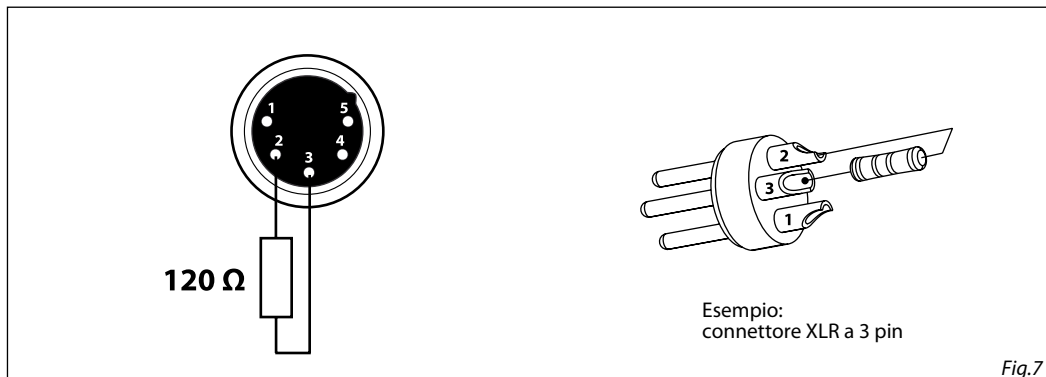
In tal caso, è sconsigliato utilizzare nei collegamenti cavo bilanciato microfonico poiché non è in grado di trasmettere in modo affidabile i dati di controllo DMX.

- Collegare l'uscita DMX del controller con l'ingresso DMX della prima unità;
- Collegare, quindi, l'uscita DMX con l'ingresso DMX della successiva unità; l'uscita di quest'ultima con l'ingresso di quella successiva e via dicendo finché tutte le unità sono collegate formando una catena.
- Per installazioni in cui il cavo di segnale deve percorrere lunghe distanze è consigliato inserire sull'ultima unità una terminazione DMX.

### 3.18 COSTRUZIONE DEL TERMINATORE DMX

La terminazione evita la probabilità che il segnale DMX 512, una volta raggiunta la fine della linea stessa venga riflesso indietro lungo il cavo, provocando, in certe condizioni e lunghezze, la sua sovrapposizione al segnale originale e la sua cancellazione.

La terminazione deve essere effettuata, sull'ultima unità della catena, con connettori XLR a 3/5 pin, saldando una resistenza di 120Ω (minimo 1/4W) tra i terminali 2 e 3, così come indicato in figura.



## - 4 - MANUTENZIONE

### 4.1 MANUTENZIONE E PULIZIA DEL SISTEMA OTTICO

- Durante gli interventi, assicurarsi che l'area sotto il luogo di installazione sia libera da personale non qualificato.
- Spegnerne l'unità, scollegare il cavo di alimentazione ed aspettare finché l'unità non si sia raffreddata.
- Tutte le viti utilizzate per l'installazione dell'unità e le sue parti dovrebbero essere assicurate saldamente e non dovrebbero essere corrose.
- Alloggiamenti, elementi di fissaggio e di installazione (soffitto, truss, sospensioni) dovrebbero essere totalmente esenti da qualsiasi deformazione.
- Quando una lente ottica è visibilmente danneggiata a causa di rotture o graffi profondi, deve essere sostituita.
- I cavi di alimentazione devono essere in condizione impeccabile e dovrebbero essere sostituiti immediatamente nel momento in cui anche un piccolo problema viene rilevato.
- Al fine di proteggere l'unità da surriscaldamento, le ventole di raffreddamento (e nel caso) le aperture di ventilazione, devono essere pulite mensilmente.

Per mantenere funzionalità e rendimento ottimali per lungo tempo è indispensabile effettuare una pulizia periodica delle parti soggette all'accumulo di polveri e grassi. La frequenza con la quale effettuare le operazioni sotto indicate dipende da diversi fattori, quali la quantità di movimenti degli effetti e la qualità dell'ambiente di lavoro (umidità dell'aria, presenza di polvere, salsedine, ecc.). Per rimuovere lo sporco dal riflettore, dalle lenti e dai filtri usare un panno morbido inumidito di un qualsiasi liquido detergente per la pulizia del vetro. Annualmente si consiglia di sottoporre il proiettore a personale tecnico qualificato per una manutenzione straordinaria consistente almeno nelle seguenti operazioni:

- Pulizia generale delle parti interne.
- Ripristino della lubrificazione di tutte le parti soggette ad attrito tramite l'utilizzo di lubrificanti appropriati.
- Controllo visivo generale di componenti interni, cablaggio, parti meccaniche, ecc.
- Controlli elettrici, fotometrici e funzionali; eventuali riparazioni.

Attenzione: consigliamo che la pulizia interna sia eseguita da personale qualificato!

### 4.2 SOSTITUZIONE FUSIBILE

1. Assicurarsi di scollegare il cavo di alimentazione del proiettore prima di sostituire un fusibile bruciato.
2. Con un cacciavite, rimuovere il portafusibile dalla sua sede e il fusibile bruciato dal suo supporto; sostituire il fusibile con uno identico per tipologia e valore.
3. Inserire il portafusibile al suo posto e ricollegare l'alimentazione.

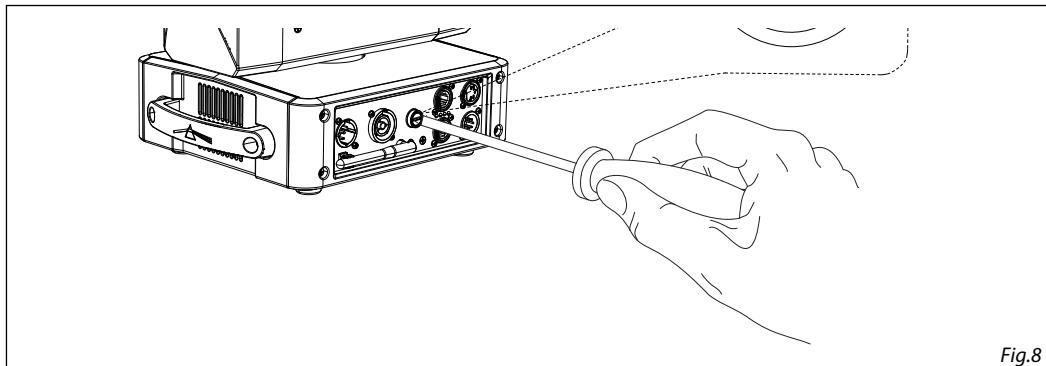


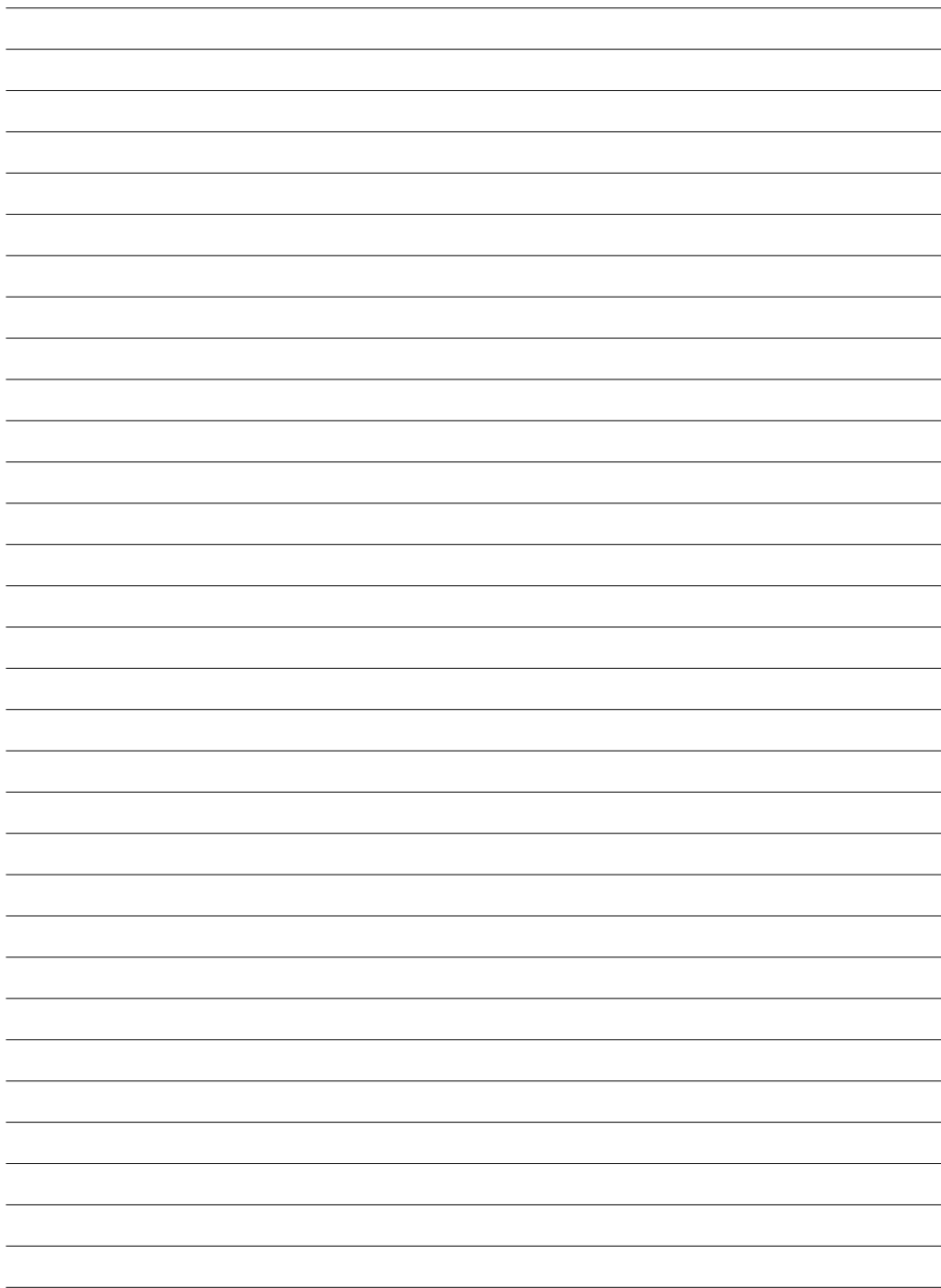
Fig.8

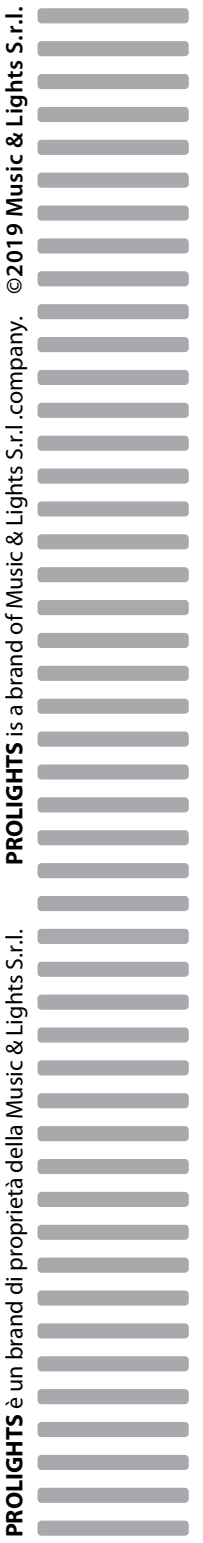
### 4.3 RISOLUZIONE DEI PROBLEMI

Anomalie	Possibili cause	Controlli e rimedi
Il proiettore non illumina	<ul style="list-style-type: none"> <li>• Mancanza di alimentazione di rete</li> <li>• Dimmer impostato a 0</li> <li>• Tutti i colori impostati a 0</li> <li>• LED difettoso/i</li> <li>• Scheda LED difettosa</li> </ul>	<ul style="list-style-type: none"> <li>• Verificare la presenza della tensione alimentazione</li> <li>• Incrementare i valori del canale dimmer</li> <li>• Incrementare i valori dei canali colori</li> <li>• Sostituire scheda LED</li> <li>• Sostituire scheda LED</li> </ul>
Bassa intensità di luce generale	<ul style="list-style-type: none"> <li>• Lenti sporche</li> <li>• Lente disallineata</li> </ul>	<ul style="list-style-type: none"> <li>• Pulire il dispositivo regolarmente</li> <li>• Installare il gruppo ottico correttamente</li> </ul>
Il proiettore non è alimentato	<ul style="list-style-type: none"> <li>• Mancanza di alimentazione di rete</li> <li>• Cavo di alimentazione danneggiato</li> <li>• Alimentatore interno difettoso</li> </ul>	<ul style="list-style-type: none"> <li>• Verificare la presenza della tensione alimentazione</li> <li>• Controllare il cavo di alimentazione</li> <li>• Sostituire l'alimentatore interno</li> </ul>
Il proiettore non risponde al DMX	<ul style="list-style-type: none"> <li>• Indirizzamento DMX errato</li> <li>• Cavo di segnale DMX difettoso</li> <li>• Rimbalzo segnale DMX</li> </ul>	<ul style="list-style-type: none"> <li>• Controllare il pannello di controllo e l'indirizzamento delle unità</li> <li>• Controllare il cavo di segnale DMX</li> <li>• Installare una terminazione DMX come suggerito</li> </ul>

Rivolgersi a un centro di assistenza tecnico autorizzato nel caso in cui il problema non sia riportato in tabella.







**PROLIGHTS** è un brand di proprietà della Music & Lights S.r.l.

**PROLIGHTS** is a brand of Music & Lights S.r.l. company. ©2019 Music & Lights S.r.l.